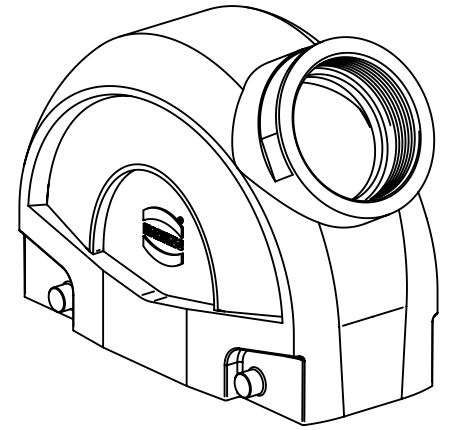
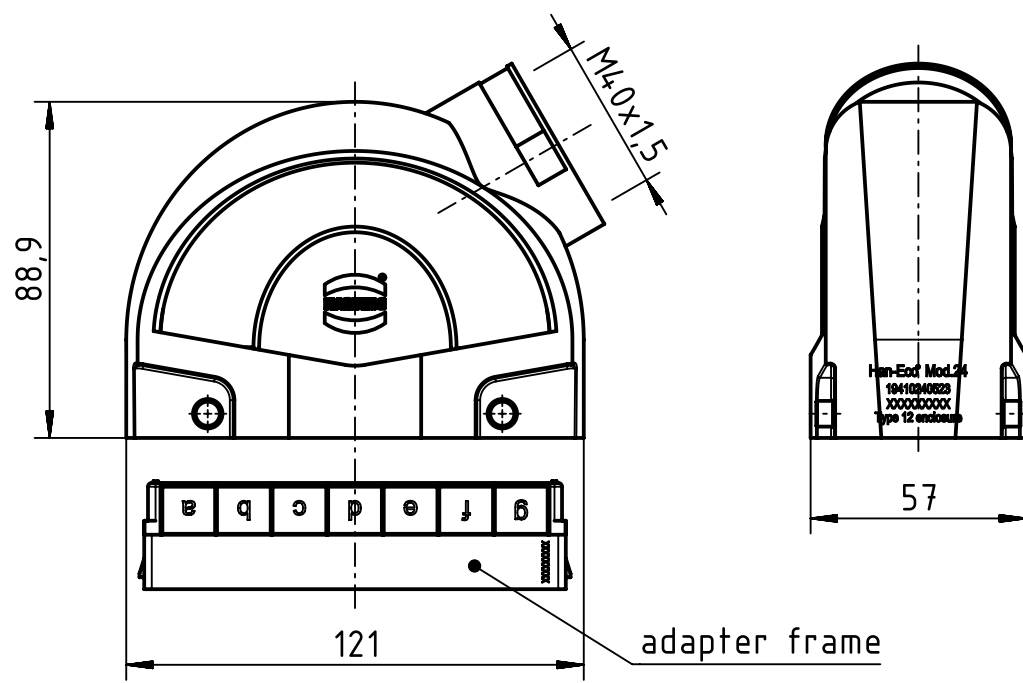


A

B

C

D



	All rights reserved Department EL PD HARTING Electric GmbH & Co. KG D-32339 Espelkamp	All Dimensions in mm Original Size DIN A4		Scale 1:2	Free size tol.	Ref. Sub.
		Created by HELLMANN	Inspected by BERGHORN	Standardisation SCHMIDTM	Date 2018-09-13	State Final Release
Title Han-Eco Mod.24-HSE-M40					Doc-Key / ECM-Nr. 100186829/UGD/009/C 500000139468	
Type TB			Number 19 41 024 0523		Rev. C	Page 1/1