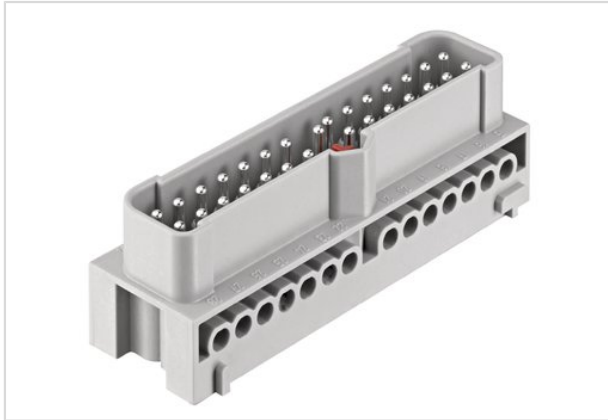


Han-Eco Mod.28E-SMC-MI-SCT



Part number	19 41 028 2601
Specification	Han-Eco Mod.28E-SMC-MI-SCT
HARTING eCatalogue	https://b2b.harting.com/19410282601

Identification

Category	Inserts
Series	Han-Eco®

Version

Termination method	Screw termination
Gender	Male
Size	24 B
With wire protection	Yes
Number of contacts	28
PE contact	Yes

Technical characteristics

Conductor cross-section	0.75 ... 2.5 mm ²
Rated current	16 A
Rated voltage	500 V
Rated impulse voltage	6 kV
Pollution degree	3
Rated voltage acc. to UL	600 V
Rated voltage acc. to CSA	600 V
Insulation resistance	≥10 ¹⁰ Ω
Limiting temperature	-40 ... +125 °C
Tightening torque	0.5 Nm
Mating cycles	≥500

Material properties

Material (insert)	Polycarbonate
Colour (insert)	RAL 7032 (pebble grey)
Material (contacts)	Copper alloy



Pushing Performance

Material properties

Surface (contacts)	Silver plated
Material flammability class acc. to UL 94	V-0
RoHS	compliant with exemption
RoHS exemptions	6c: Copper alloy containing up to 4 % lead by weight
ELV status	compliant with exemption
China RoHS	50
REACH Annex XVII substances	No
REACH ANNEX XIV substances	No
REACH SVHC substances	Yes
REACH SVHC substances	Lead

Commercial data

Packaging size	1
Net weight	106.5 g
Country of origin	Romania
European customs tariff number	85366990