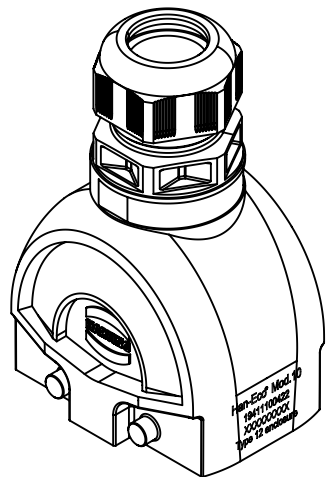
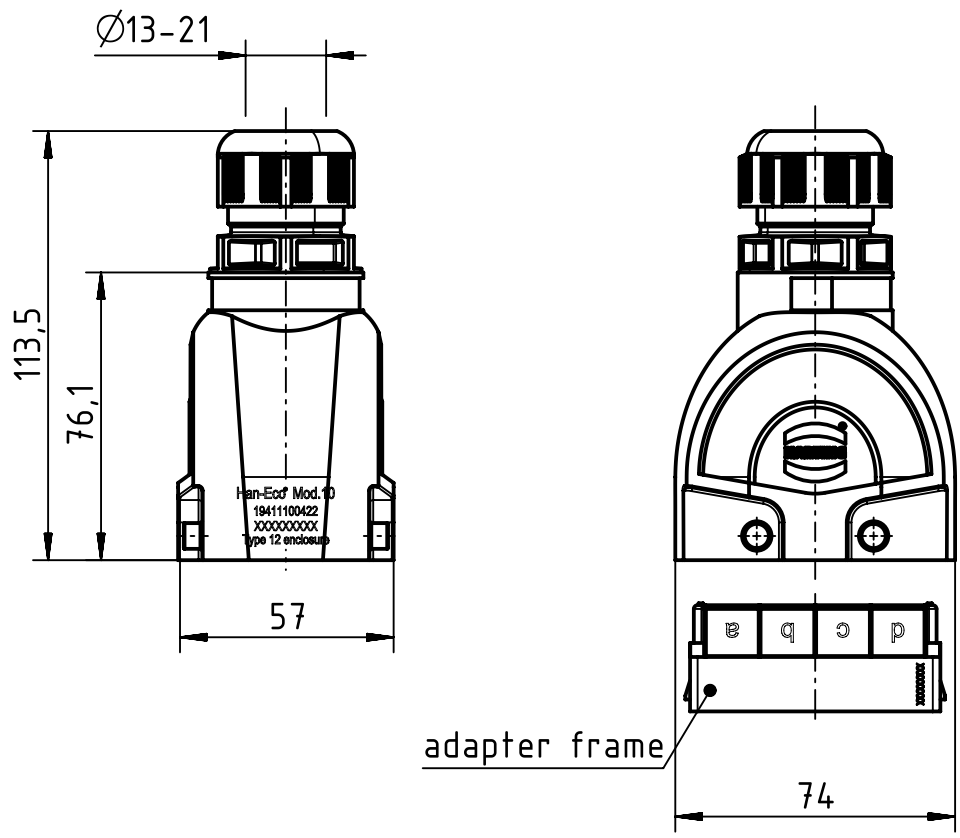


A

B

C

D



	All Dimensions in mm Original Size DIN A4		Scale 1:2	Free size tol.		Ref.		
						Sub.		
	All rights reserved		Created by HELLMANN	Inspected by BERGHORN	Standardisation TIEMANNA	Date 2018-10-23	State Final Release	
	Department EL PD		Title Han-Eco Mod.10-HTE-M32-glanded				Doc-Key / ECM-Nr. 100185058/UGD/005/B 5000001414.83	
HARTING Electric GmbH & Co. KG D-32339 Espelkamp			Type TB	Number 19 41 110 0422			Rev. B	Page 1/1