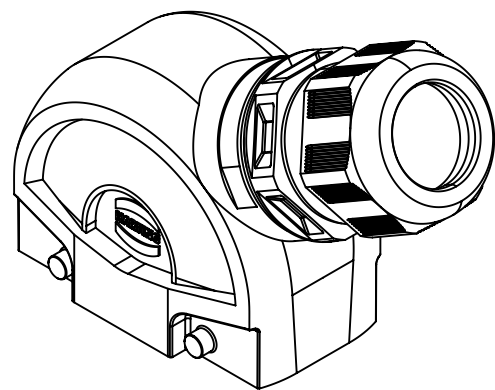
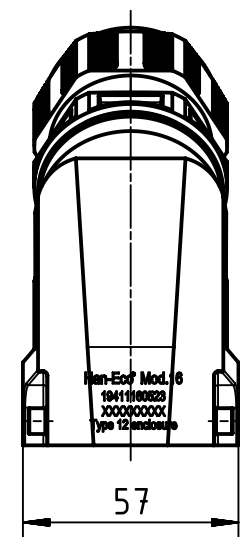
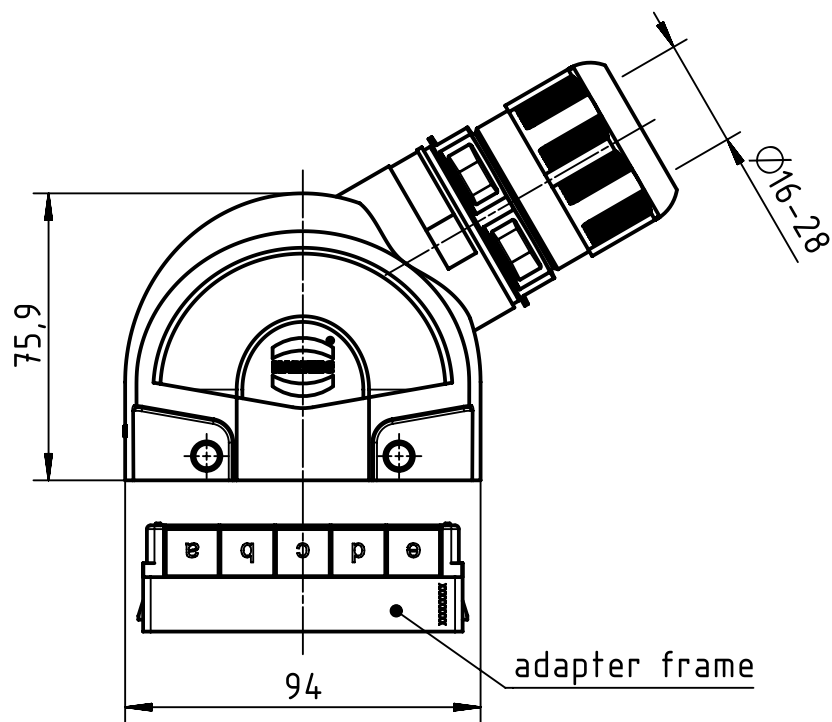


A

B

C

D



	All Dimensions in mm Original Size DIN A4		Scale 1:2	Free size tol.		Ref.		
						Sub.		
	All rights reserved		Created by HELLMANN	Inspected by BERGHORN	Standardisation SCHMIDTM	Date 2018-09-10	State Final Release	
	Department EL PD		Title Han-Eco Mod.16-HSE-M40-glanded				Doc-Key / ECM-Nr. 100185057/UGD/005/B 500000139502	
HARTING Electric GmbH & Co. KG D-32339 Espelkamp			Type TB	Number 19 41 116 0523			Rev. B	Page 1/1