

A

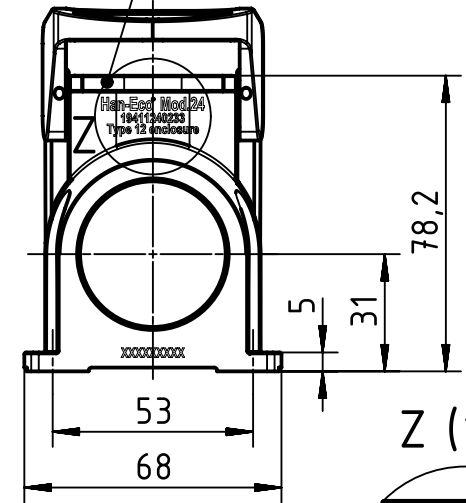
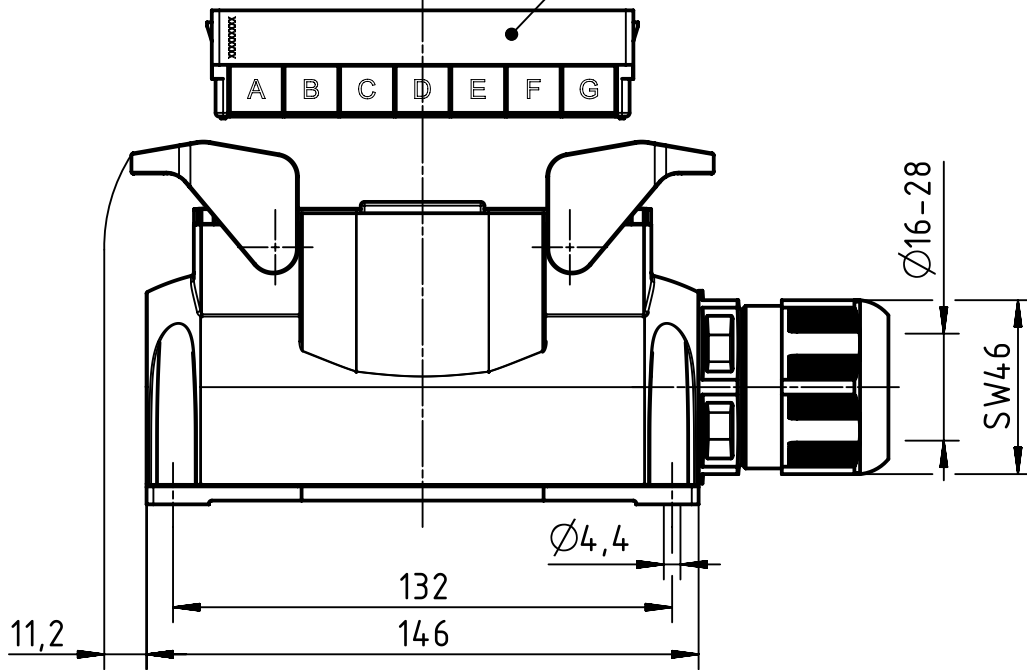
B

C

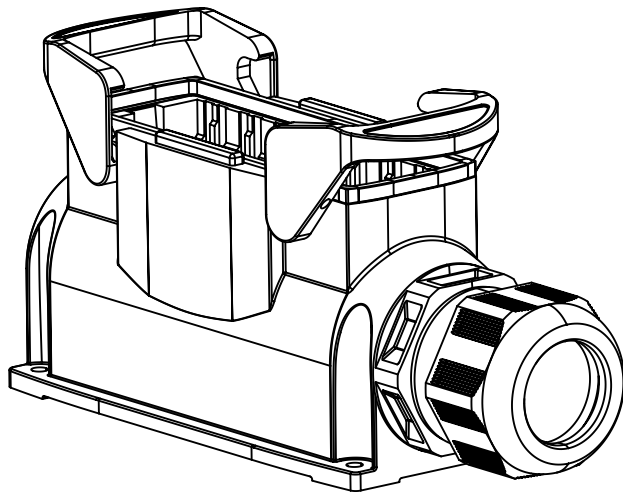
D

adapter frame

seal



Z (1:1)



adapter frame and cable gland are enclosed

	All Dimensions in mm Original Size DIN A4		Scale 1:2	Free size tol.		Ref.
						Sub.
	All rights reserved		Created by SPRENB	Inspected by BERGHORN	Standardisation TIEMANNA	Date 2018-10-01
	Department EL PD					State Final Release
HARTING Electric GmbH & Co. KG D-32339 Espelkamp			Title Han-Eco Mod.24-HSM1-M40-glanded			Doc-Key / ECM-Nr. 100222556/UGD/006/E 50000014.04.92
			Type TB	Number 19 41 124 0233		Rev. E
						Page 1/1