



SV

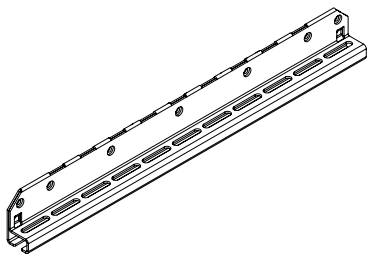
9683.326

9683.328

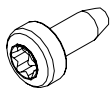


www.rittal.com

2x



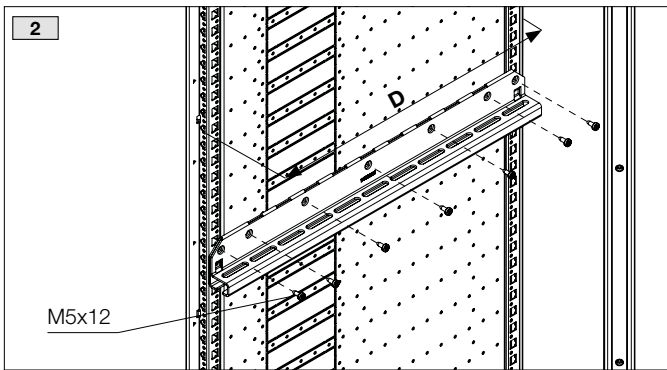
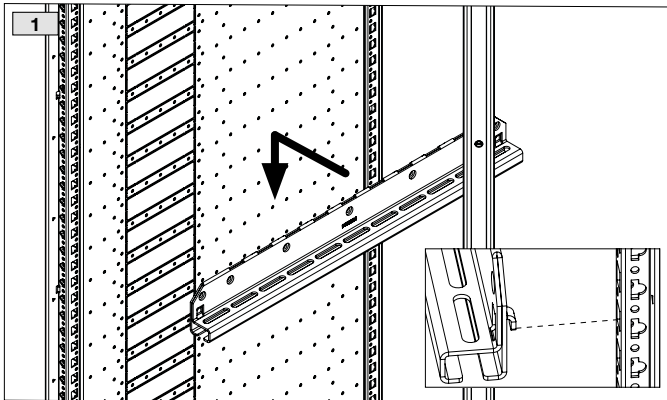
14x



M5x12

Dok.-Nr. / No of doc.: D-0000-00001639-00
Versandbeutel-Nr. / No. of accessory bag: 373754

Ident.-Nr. / Part No.: 340979
Lieferanten-Nr. / No. of supplier:



$M_A = 5 \text{ Nm}$

D [mm]	Best.-Nr. Model No. Référence
600	9683.326
800	9683.328

TX30

