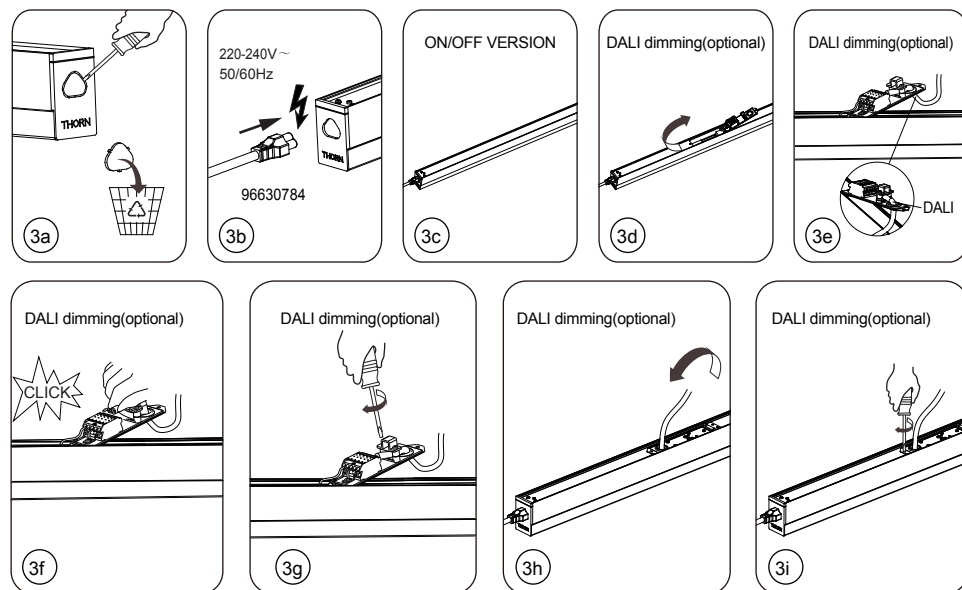
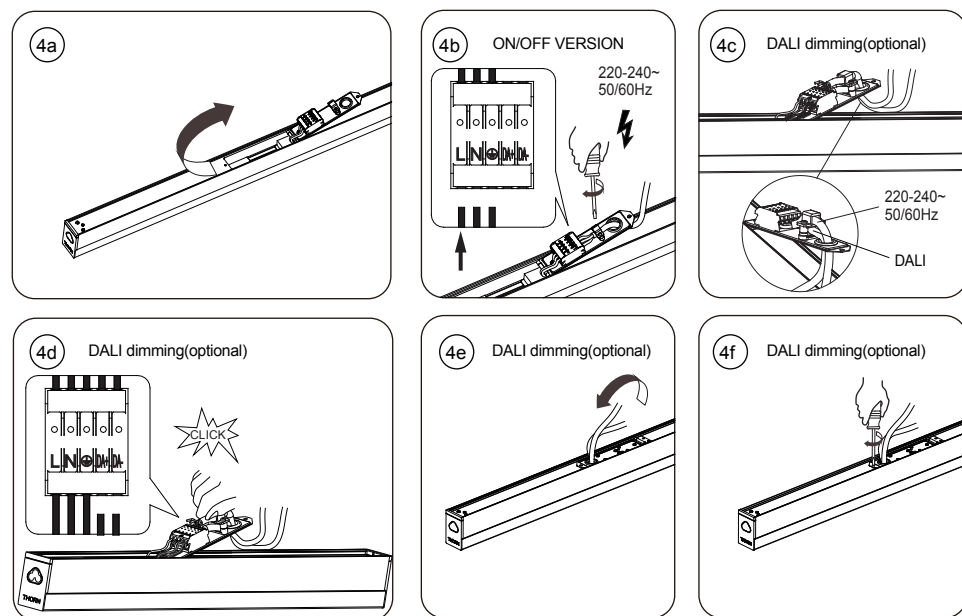


3. Mains and dimming connection (Endcap side cable feed in)



4. Mains and dimming connection (back side cable feed in)



EQUALINE MINI

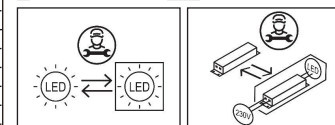
UK Installation instructions	FI Asennusohje	LV Instalācijas instrukcija
CN 安装说明书	FR Notice de montage	NO Monteringsanvisning
CZ Montážní návod	HU Szerelési útmutató	PL Instrukcja montażu
DK Monteringsvejledning	IT Istruzioni di montaggio	SE Installationsanvisnin
EE Paigaldusjuhend	LT Montavimo instrukcijos	RU Инструкция по монтажу

- !**
1. Installation and commissioning may only be carried out by authorized specialists and wired in accordance with the latest IEE electrical regulations or the national standards.
 2. Mains power must be switched off before carrying out installation.
 3. Lighting source and driver can't be replaced.
 4. Indoor use only.

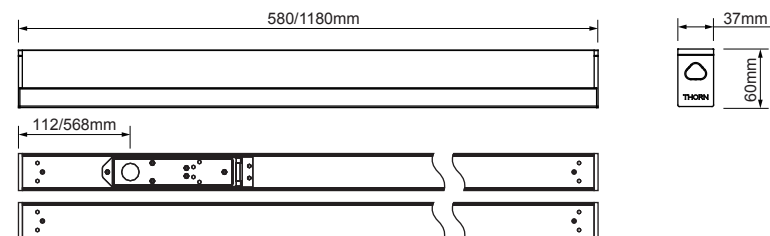
Product Description	Wattage	Max. number linkable
EQUAMINI L580 LED950-830	9W	40pcs
EQUAMINI L580 LED1050-840	9W	40pcs
EQUAMINI L580 LED1900-830 HFX	19W	20pcs
EQUAMINI L580 LED2100-840 HFX	19W	20pcs
EQUAMINI L1180 LED1900-830	18W	20pcs
EQUAMINI L1180 LED2100-840	18W	20pcs
EQUAMINI L1180 LED3800-830 HFX	37W	10pcs
EQUAMINI L1180 LED4200-840 HFX	37W	10pcs
EQUAMINI L580 LED950-830 SD	9W	40pcs
EQUAMINI L580 LED1050-840 SD	9W	40pcs
EQUAMINI L580 LED1900-830 HFX SD	19W	20pcs
EQUAMINI L580 LED2100-840 HFX SD	19W	20pcs
EQUAMINI L1180 LED1900-830 SD	18W	20pcs
EQUAMINI L1180 LED2100-840 SD	18W	20pcs
EQUAMINI L1180 LED3800-830 HFX SD	37W	10pcs
EQUAMINI L1180 LED4200-840 HFX SD	37W	10pcs



220-240 V~	ta: 40°C	EN 60598	GB 7000
------------	----------	----------	---------



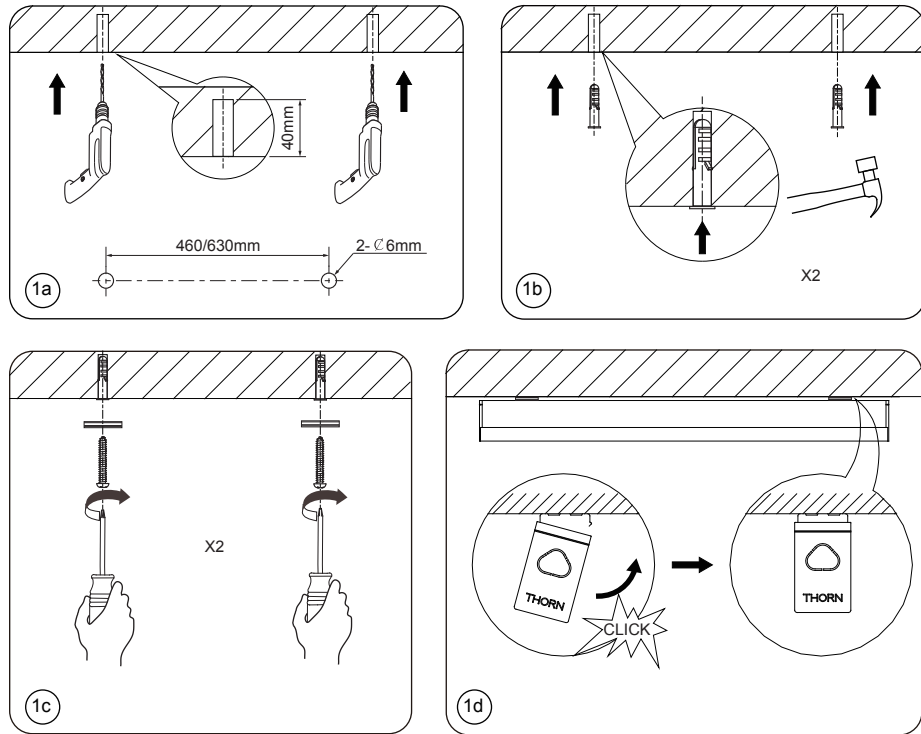
Information on replaceability



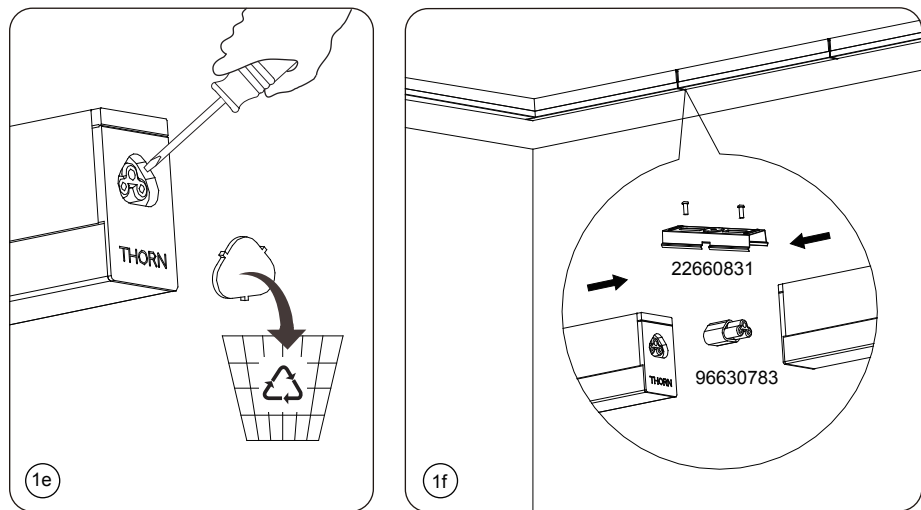
Accessories (need to be ordered separately)

1		1 EQUAMINI I BRACKET	22660831
2		2 EQUAMINI L BRACKET	22660840
3		3 EQUAMINI T BRACKET	22660832
4		4 EQUAMINI SIDE FEED IN CABLE 300MM	96630784
5		5 EQUAMINI SUSPENSION KIT PAIR 1500	59010273
6		6 EQUAMINI ELECTRICAL CONNECTOR	96630783
7		7 EQUAMINI STANDARD MOUNT BRACKET	59019993

1.Surface mount (Horizontal installation is prefer)



Surface continuous mount



2.Suspended mount

