

UK Installation Instructions
DE Montageanleitung
CZ Montážní návod
DK Monteringsvejledning
EE Paigaldusjuhend

FI Asennusohje
FR Notice de montage
HU Szerelési útmutató
IT Istruzioni di montaggio
LT Montavimo Instrukcijos

LV Instalācijas instrukcija
NO Monteringsanvisning
PL Instrukcja montażu
SE Installationsanvisning
RU Инструкция по монтажу

230-240V/50-60Hz
 CI I
 IP 20



TX20

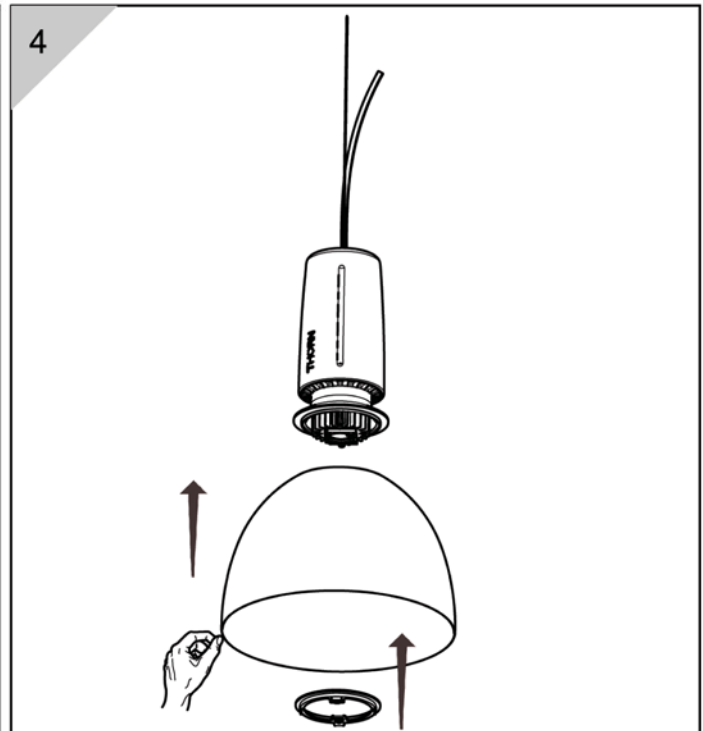
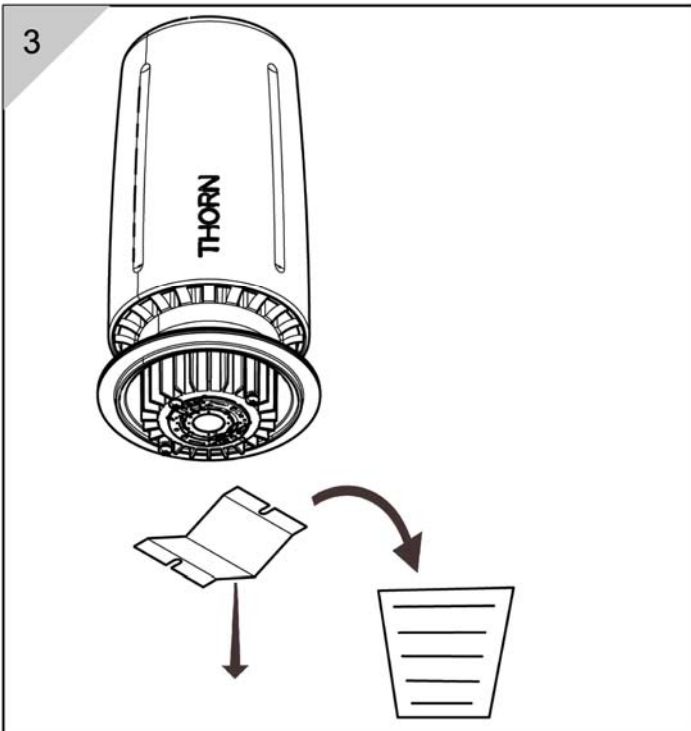
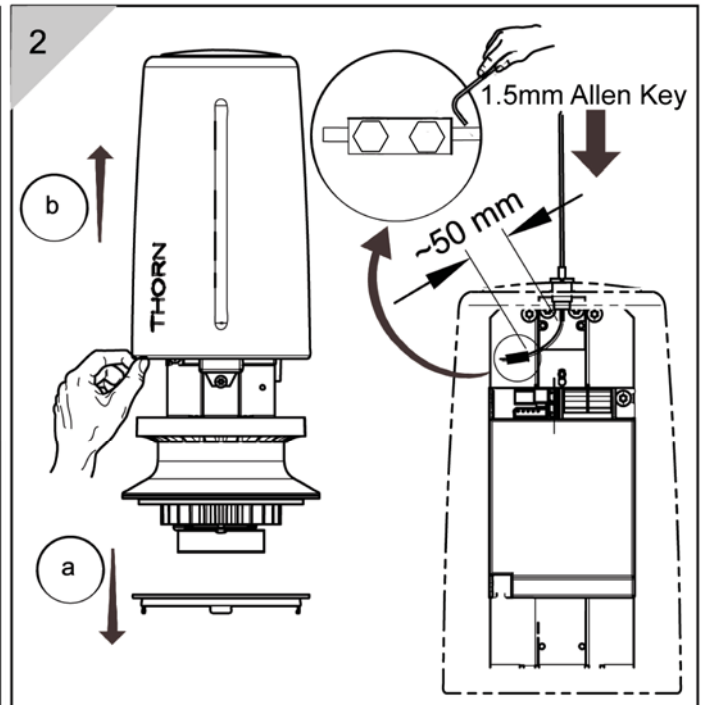
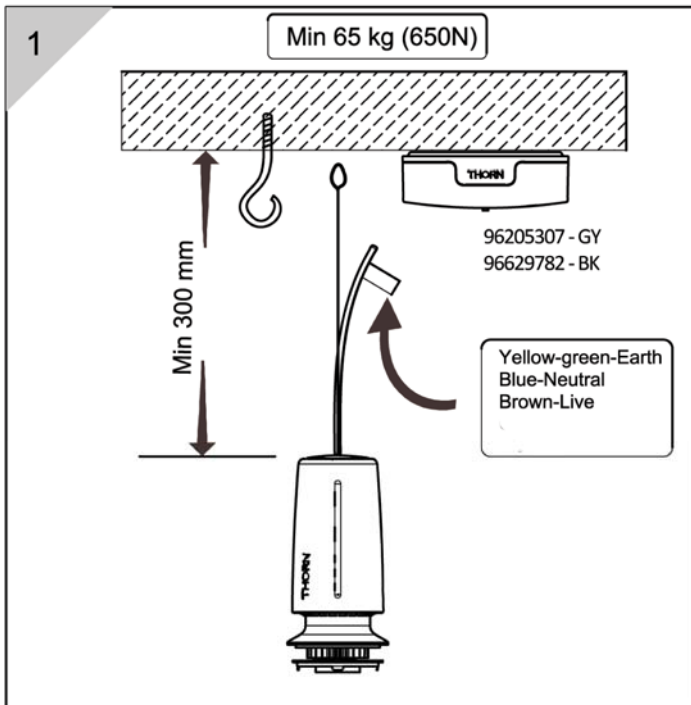
THE LIGHT SOURCE OF THIS LUMINAIRE IS NOT REPLACEABLE;; IN CASE THE LIGHT SOURCE NEEDS TO BE REPLACED (E.G AT THE END OF ITS LIFE), THE WHOLE LUMINAIRE SHALL BE REPLACED



LED



ACCESORY BAG INSIDE!



i

Product info BC



Documentation

EN

DE

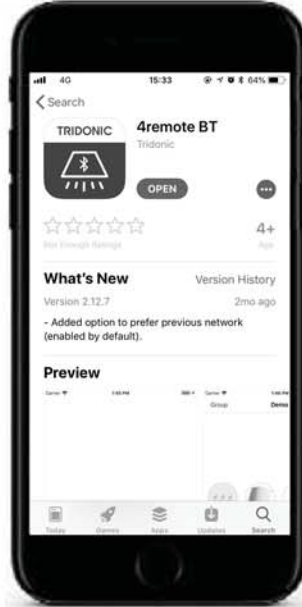


<https://www.tridonic.com/com/en/products/app-4remote-bt.asp>

i

APP store

APP



i

Mounting info

