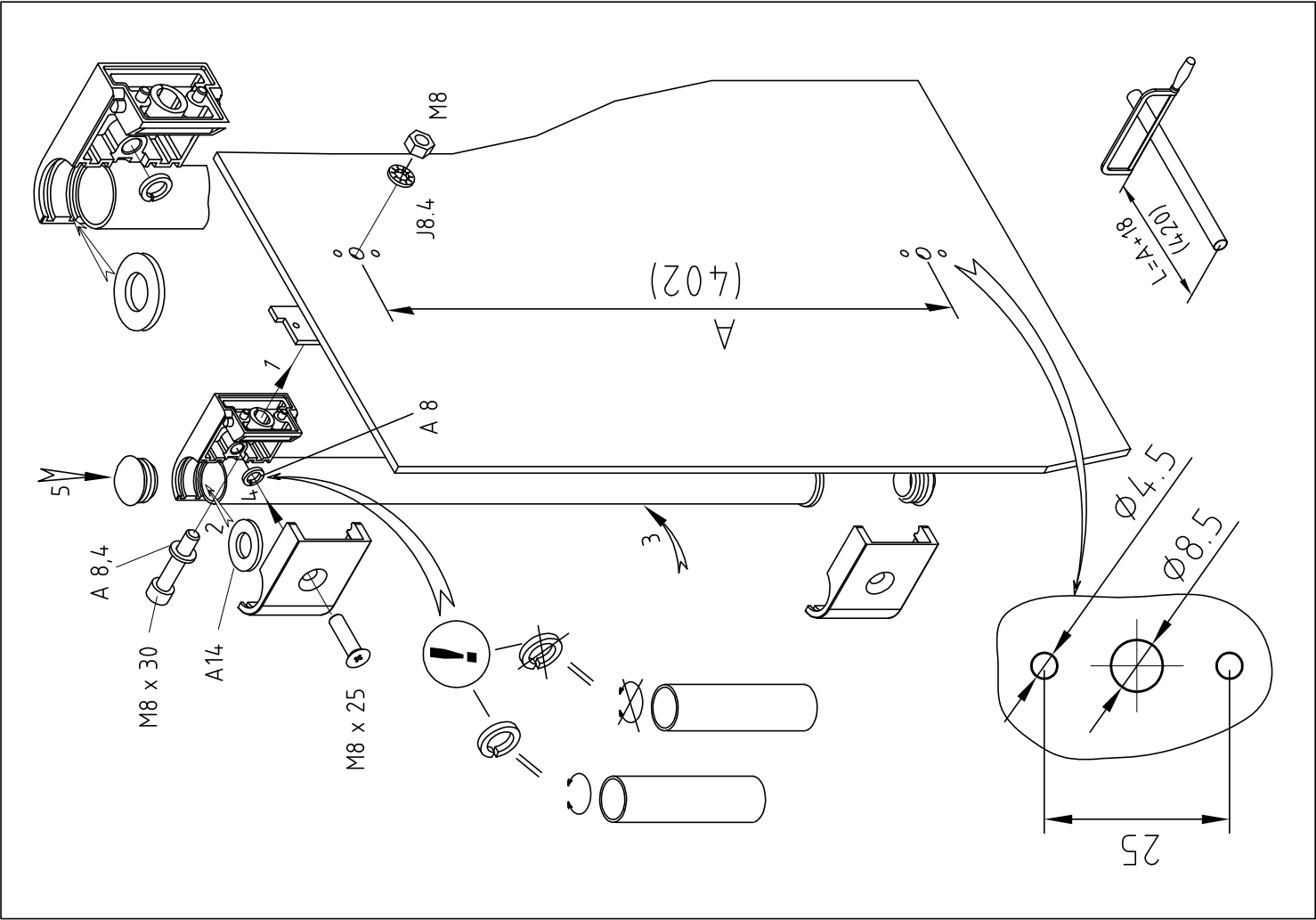




SZ
2389.000

Raum für Verpackungsdatum
Area for date of packing
(MMJJTT / MMYDD)

4X		M8 x 30	4X	
4X		J 8,4	4X	
4X		A 8,4	4X	
4X		M 8	4X	
4X		M8 x 25	4X	
4X		A 8	4X	



Zchng.-Nr. / No. of dwg. : A2826201SZ
Versandbeutel-Nr. / No. of accessory bag : 287990

Lieferanten-Nr. / No. of supplier :