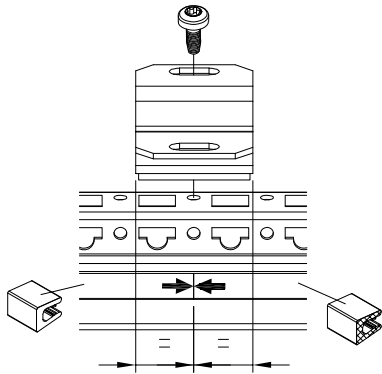
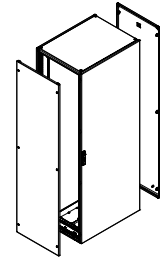


2x $M_A = 3^{+1}Nm$



www.rittal.com



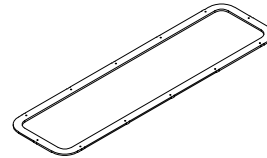
VX
NEMA 4 X
IP 66

20x

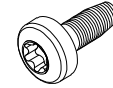


M5

2x

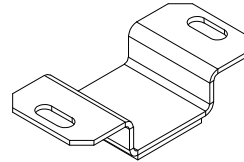


2x



5x13

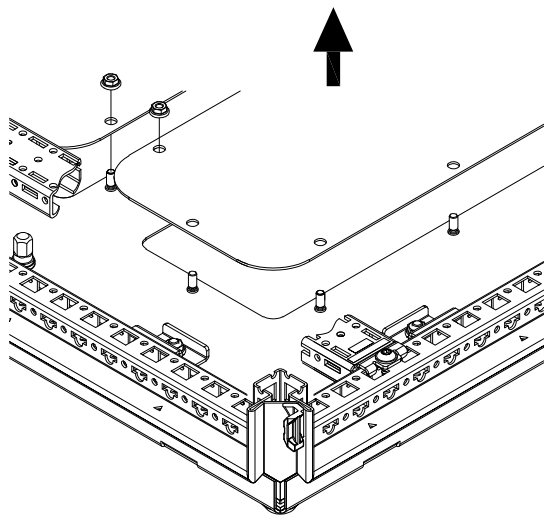
1x



Zchng.-Nr. / No. of dwg. : A083533 01 VX

Versandbeutel-Nr. / No. of accessory bag : 340425

Lieferanten-Nr. / No. of supplier :



24x $M_A = 2^{+1}Nm$

