

VX
8618.430



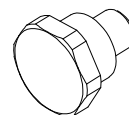
Raum für Verpackungsdatum
Area for date of packing
(MMJJTT / MMYDD)

4x



5,5x13

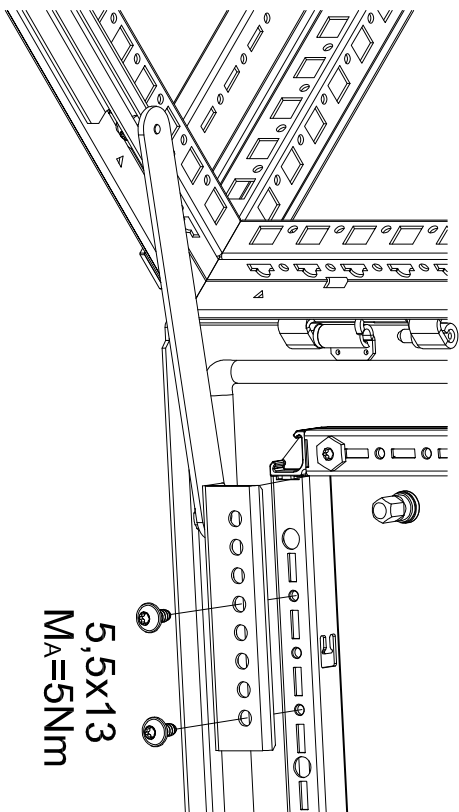
1x



M6

Zchng.-Nr. / No. of dwg. : A088836 00 VX
Versandbeutel-Nr. / No. of accessory bag : 374283 Lieferanten-Nr. / No. of supplier :

3

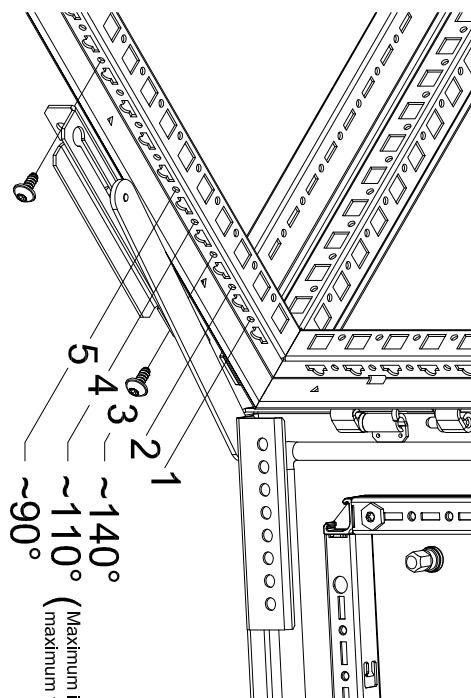


5,5x13
M_A=5Nm

TX30



1



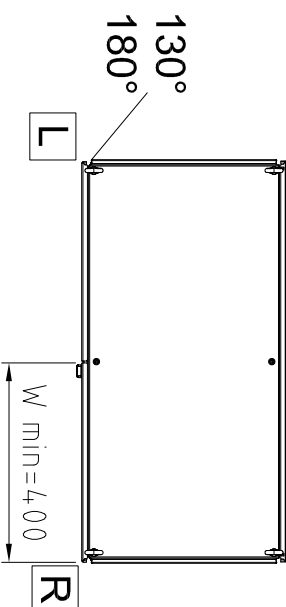
~140° (Maximum in Anhebung /)
~110° (maximum for baying)
~90°

5,5x13
M_A=5Nm

TX30

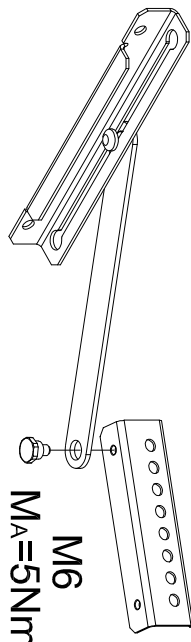


2



130°
180°

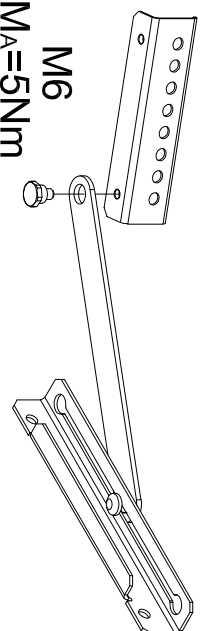
W min = 4.00



M6
M_A=5Nm

R

L



M6
M_A=5Nm

SW13

