

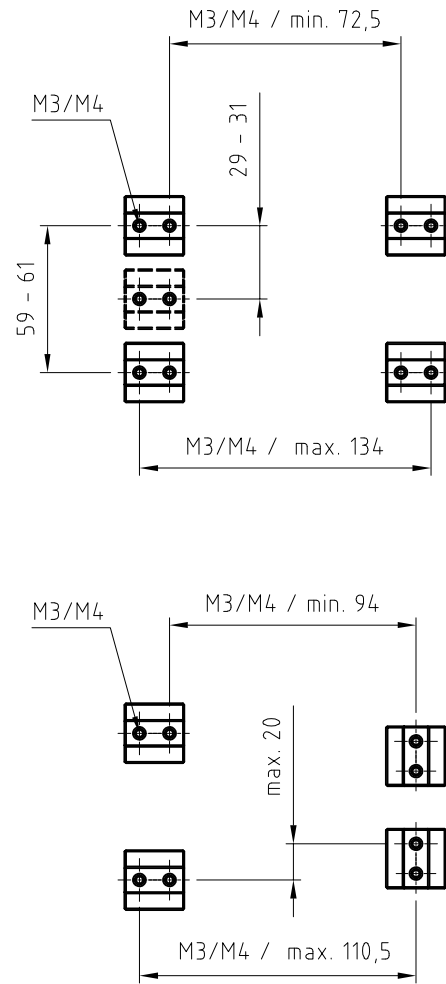
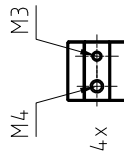


SV
9342.504
9342.514



Raum für Verpackungsdatum
Area for date of packing
(MMJJTT / MMYDDD)

IEC	35 - 120 mm ² (Cu) 11 Nm	10 x 15,5 x 0,8 (Cu) 11 Nm	10 x 15,5 x 0,8 (Cu) 11 Nm	AWG 2 - MCM 250 75 °C copper 97 lb-in	10 x 15,5 x 0,8 75 °C copper 97 lb-in
UL					
					12 - 18 mm



1 SV CB-Geräteadapter 160A, 4-polig
60 mm Schienenmittenabstand

1 SV Circuit-breaker component adaptor 160A, 4 poles
60 mm busbar centre distance

1 SV Adaptateurs de disjoncteurs 160A, 4 pôles
60 mm d'écartement entre les axes des barres

Article No.	SV9342.504, SV9342.514	
Suitable for use on a circuit capable of delivering not more than SCCR symmetrical amperes [kA]	Maximum voltage AC [V]	Maximum condition when protected by
65	480	Circuit breaker (UL category DIVQ(7) rated up to 125A, having an interrupting rating not less than 65kA symmetrical amperes
50	600	Class K5 125A Fuses

Zchng.-Nr. / No. of dwg. : A07129001SV
Versandbeutel-Nr. / No. of accessory bag : -

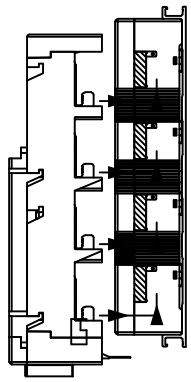
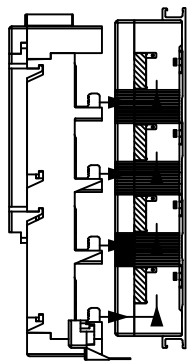
Lieferanten-Nr. / No. of supplier :

For further information: www.rittal.com

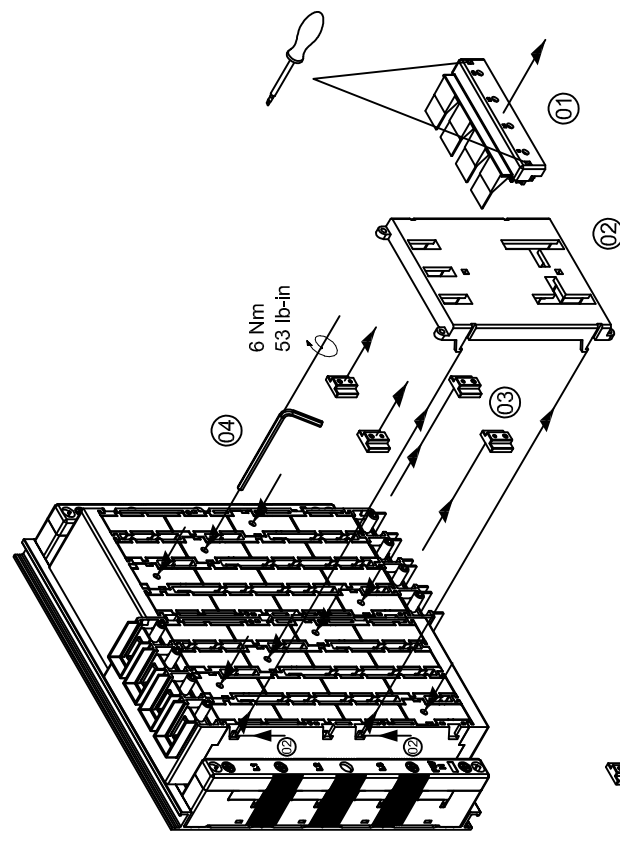
SV9342.504

SV9342.514

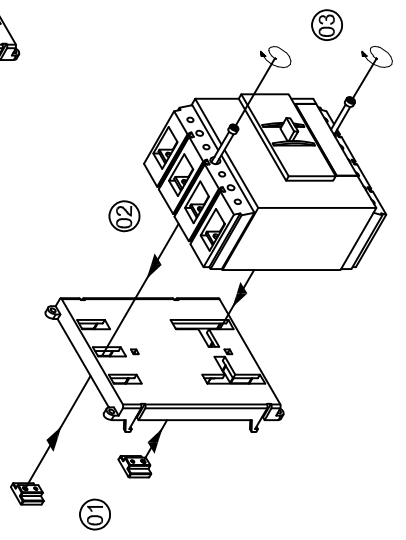
1



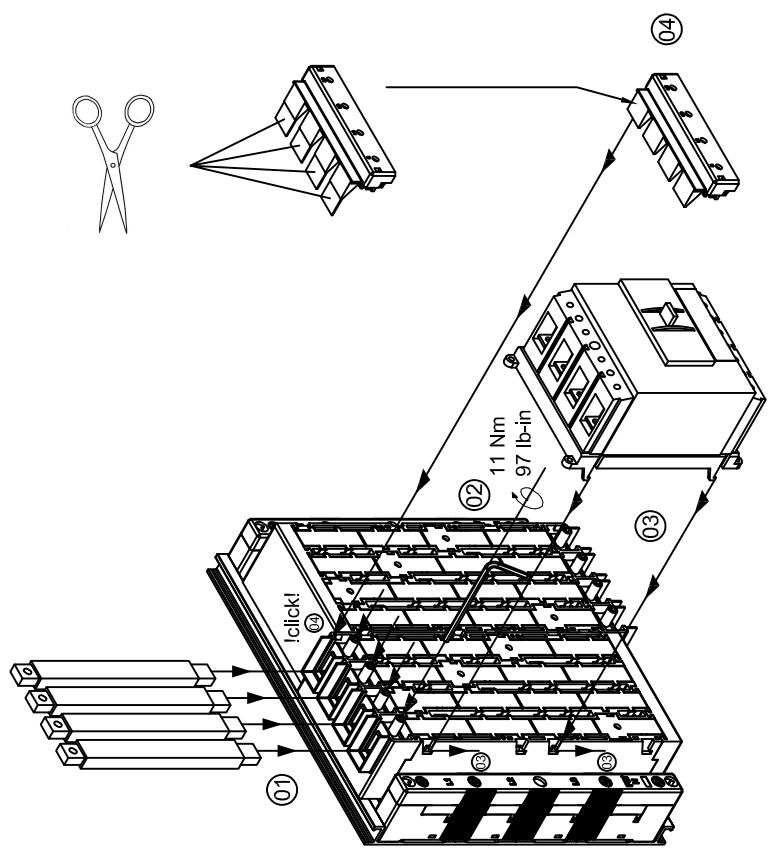
2



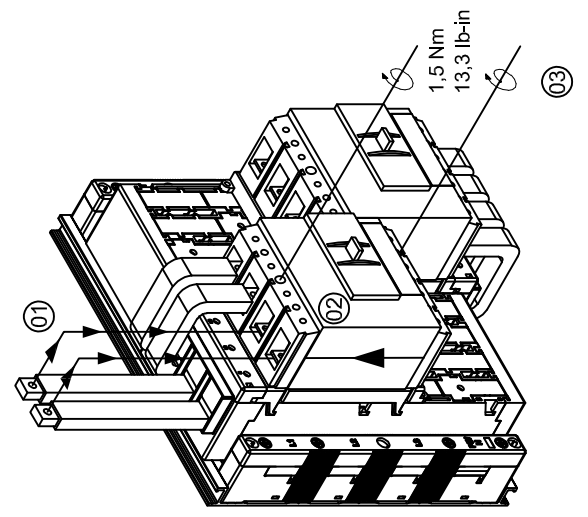
3



4



5



6

