

For further information: [www.rittal.com](http://www.rittal.com)



SV

9345.604  
9345.614

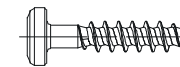


1 SV CB-Geräteadapter 250A, 4-polig  
60 mm Schienenmittenabstand

1 SV Circuit-breaker component adaptor 250A, 4-poles  
60 mm busbar centre distance

1 SV Adaptateurs de disjoncteurs 250A, 4-pôles  
60 mm d'écartement entre les axes des barres

1 x



40x18

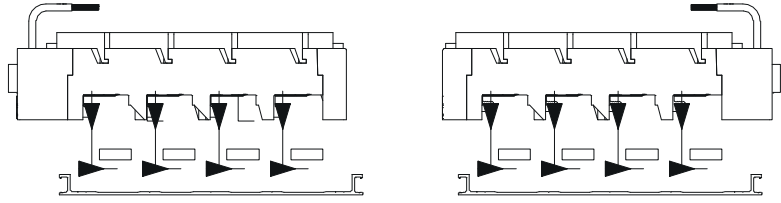
Zchng.-Nr. / No. of dwg.: A05606101SV  
Versandbeutel-Nr. / No. of accessory bag: -

Lieferanten-Nr. / No. of supplier: 6895301

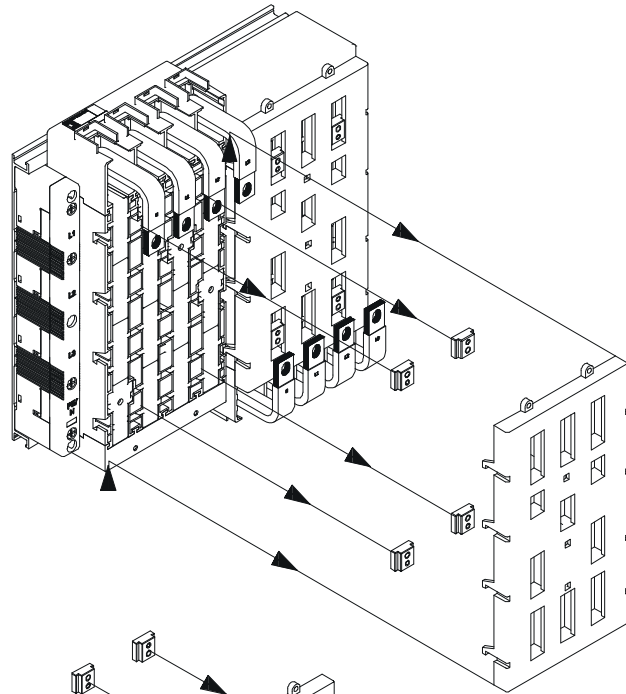
1

SV9345.614

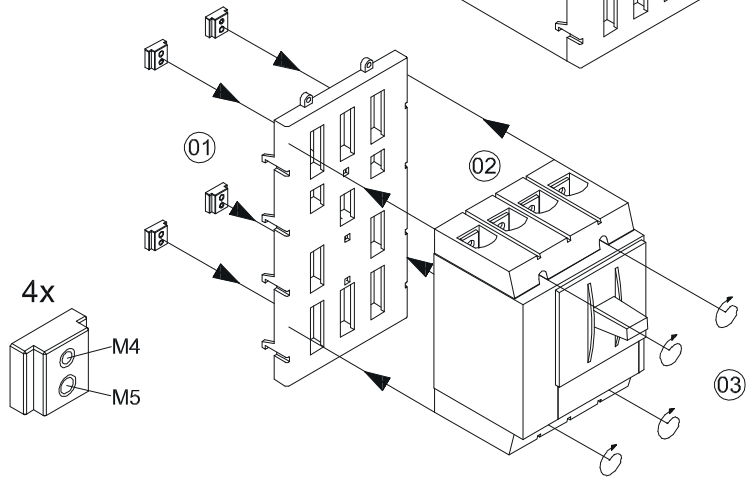
SV9345.604



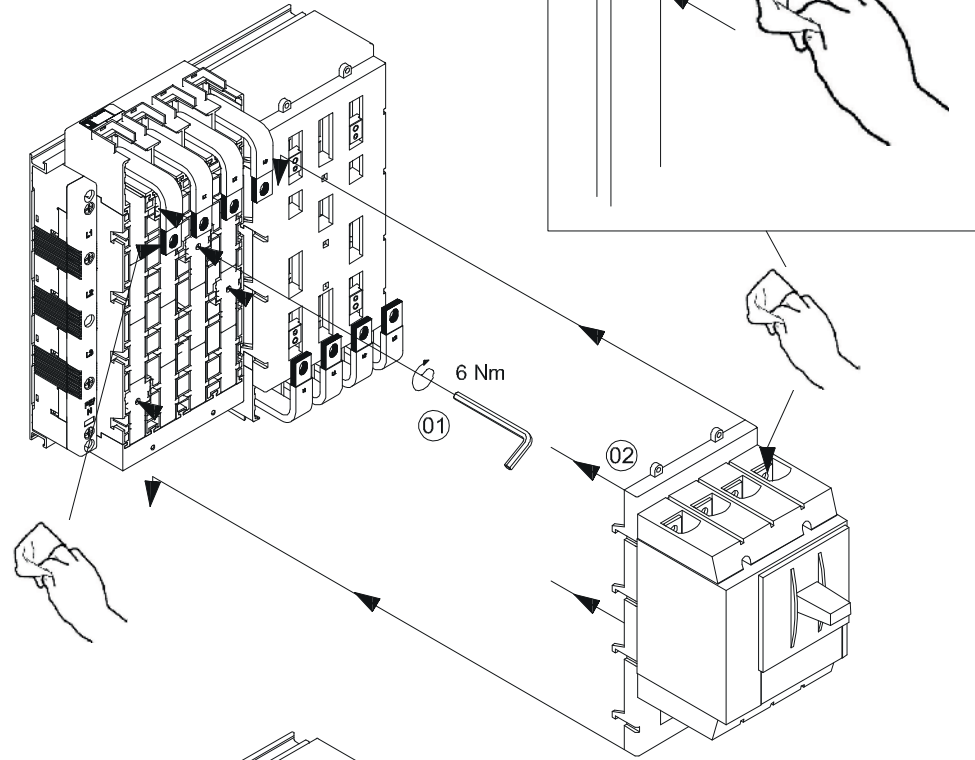
2



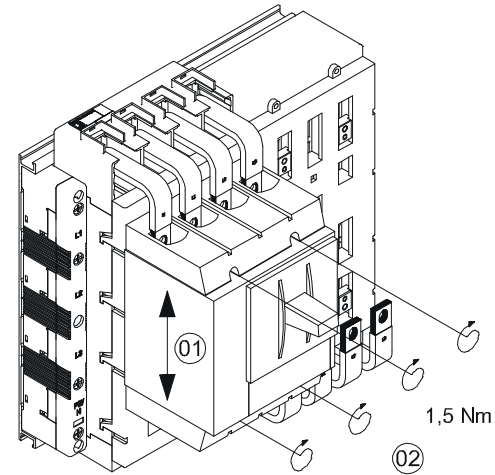
3



4



5



6

