

Produktdatenblatt

Art. Nr. 96.032.2051.4

Geräteanschluss RST20i3F S2 M00VL BR0

RST20i3 Geräteanschluss M20, 3-polig, Steckerteil in Federkrafttechnik, modular, Anwendung ~50V/-120V mit PE, 20A, Kodierfarbe signalbraun, Gehäusefarbe schwarz



Art. Nr.	96.032.2051.4
EAN	4015573956087
Bestelleinheit	100 Stück

Zulassungen

Technische Daten
Hinweis

Hinweis	Fein- und mehrdrähtige Leiter erfordern AderendhülsenLagefixierung durch Abflachung am Gewinde
---------	--

Allgemein

Bemessungsstrom	20 A
Bemessungsspannung	50 V / 120 V
Verschmutzungsgrad	3
Bemessungsstoßspannung	4 kV
Verriegelbar	selbstverriegelnd (mit Werkzeug lösbar)
Codierfarbe / Kontakteinsatz	signalbraun
Polkennzeichnung	1, 2, PE
Farbe des separaten Adapterstücks (falls vorhanden)	schwarz

Anschlussdaten

Anschlussquerschnitt eindrätig mm ² max.	2,5 mm ²
Anschlussquerschnitt eindrätig mm ² min.	0,5 mm ²
Anschlussquerschnitt feindrätig mm ² max.	1,5 mm ²
Anschlussquerschnitt feindrätig mm ² min.	0,5 mm ²
Anschlüsse pro Pol	2
Abisolierlänge	14,5 mm

Ausführung

Ausführung	Stecker
Anschlussart	Federkraftanschluss
Anschluss Gewinde	M20
Steckrichtung	gerade
Schutzart (IP)	IP66/68 (3m;2h) /IP69
Gehäusewandstärke 2 (min.)	0,5 mm
Gehäusewandstärke (max.)	8 mm

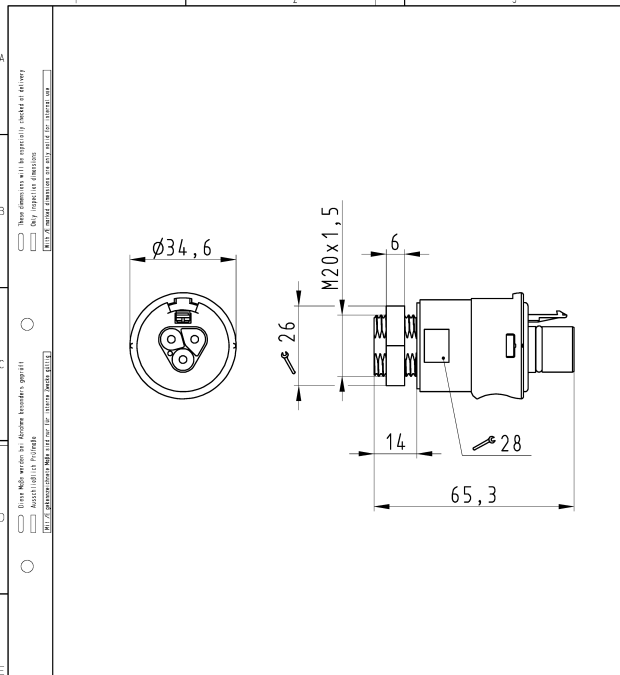
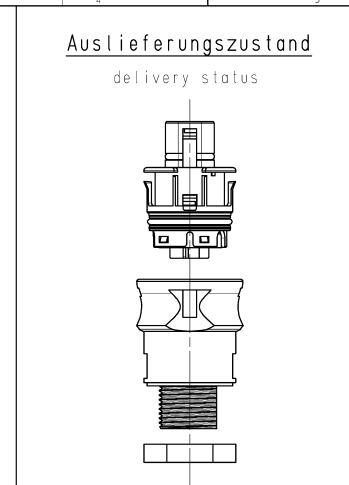






Werkstoff

Werkstoff des Gehäuses	Polyamid
Halogenfrei	ja
Kontaktmaterial	CuZn
Brandlast	0,189 kWh
Isolierteil Dauertemperaturbeständigkeit	100 °C
Oberflächenbehandlung	versilbert

Abmessungen

Länge	65,3 mm
Breite	35 mm
Höhe	35 mm

Technische Zeichnung

 <p style="font-size: small;">These dimensions will be typically stated in delivery documents. Please refer to the drawing for details. (These dimensions will be typically stated in delivery documents. Please refer to the drawing for details.)</p> <p style="font-size: small;">Diese Maße werden in Abgabe Dokumenten genannt. Bitte beachten Sie die Zeichnung für Details. (These dimensions will be typically stated in delivery documents. Please refer to the drawing for details.)</p>	<p style="text-align: center;">Auslieferungszustand delivery status</p>  <p style="text-align: center;">Verpackungseinheit: je 100 Stück packaging unit: per 100</p>																																																																																										
<p>Deffnungsmassbild siehe 96.031.2053.1 14K opening dimension see 96.031.2053.1 14K</p>	<table border="1" style="width: 100%; border-collapse: collapse;"> <tr> <td>96.032.2051.4</td> <td>RS12013F S2 MOOVL BR01</td> <td>signal brown / signal brown</td> </tr> <tr> <td>Bestellnummer / Order number</td> <td>Typ / Type</td> <td>Farbe / Color</td> </tr> <tr> <td colspan="3" style="text-align: center;">Weitere Daten siehe KATALOG oder eCatalog. Additional data see CATALOG or eCatalog. www.wieland-electric.com eshop.wieland-electric.com</td> </tr> <tr> <td colspan="3" style="font-size: x-small;">Toleranzierung Size ISO 14463 (Toleranz system Size ISO 14463) / Tolerances and deviations in accordance with DIN 52010 (1st amendment). (This ISO-standard describes the envelope principle. According to the envelope principle the deviations of form and position/tolerance are limited by the size tolerances.) / Tolerances must be declared if decorative hazardous substances are to be declared.</td> </tr> <tr> <td colspan="2"> <table border="1" style="width: 100%; border-collapse: collapse;"> <tr> <th>General tolerance</th> <th>ISO - drawing, no manual modifications allowed</th> <th>1st version</th> <th>Sheet: 1</th> <th>mm</th> <th>of 1</th> </tr> <tr> <td>/</td> <td></td> <td></td> <td></td> <td></td> <td></td> </tr> <tr> <td>/</td> <td></td> <td></td> <td></td> <td></td> <td></td> </tr> <tr> <td>/</td> <td></td> <td></td> <td></td> <td></td> <td></td> </tr> <tr> <td>/</td> <td></td> <td></td> <td></td> <td></td> <td></td> </tr> <tr> <td>/</td> <td></td> <td></td> <td></td> <td></td> <td></td> </tr> <tr> <td>/</td> <td></td> <td></td> <td></td> <td></td> <td></td> </tr> </table> </td> <td> <table border="1" style="width: 100%; border-collapse: collapse;"> <tr> <td>Werkstoff/Material</td> <td>Z015</td> <td>Tag/Date</td> <td>Name</td> <td>Zeichnung Nr./Drawing No.</td> <td>Index</td> </tr> <tr> <td>Herstellernummer</td> <td></td> <td>21.07.</td> <td>Nagengast F.</td> <td rowspan="2" style="text-align: center; font-size: large;">96.032.2051.4 13K</td> <td rowspan="2"></td> </tr> <tr> <td>Maßstab/Scale</td> <td>1:1</td> <td></td> <td></td> </tr> <tr> <td colspan="6" style="text-align: center; font-size: x-small;">Maße in mm/Dimensions are in mm</td> </tr> </table> </td> </tr> <tr> <td colspan="2"> <table border="1" style="width: 100%; border-collapse: collapse;"> <tr> <td colspan="2">  </td> <td>Type</td> <td>Benennung/Title</td> </tr> <tr> <td colspan="2"> www.wieland-electric.com </td> <td></td> <td style="text-align: center; font-weight: bold;">STECKERTEIL male connector</td> </tr> </table> </td> <td></td> </tr> </table>	96.032.2051.4	RS12013F S2 MOOVL BR01	signal brown / signal brown	Bestellnummer / Order number	Typ / Type	Farbe / Color	Weitere Daten siehe KATALOG oder eCatalog. Additional data see CATALOG or eCatalog. www.wieland-electric.com eshop.wieland-electric.com			Toleranzierung Size ISO 14463 (Toleranz system Size ISO 14463) / Tolerances and deviations in accordance with DIN 52010 (1st amendment). (This ISO-standard describes the envelope principle. According to the envelope principle the deviations of form and position/tolerance are limited by the size tolerances.) / Tolerances must be declared if decorative hazardous substances are to be declared.			<table border="1" style="width: 100%; border-collapse: collapse;"> <tr> <th>General tolerance</th> <th>ISO - drawing, no manual modifications allowed</th> <th>1st version</th> <th>Sheet: 1</th> <th>mm</th> <th>of 1</th> </tr> <tr> <td>/</td> <td></td> <td></td> <td></td> <td></td> <td></td> </tr> <tr> <td>/</td> <td></td> <td></td> <td></td> <td></td> <td></td> </tr> <tr> <td>/</td> <td></td> <td></td> <td></td> <td></td> <td></td> </tr> <tr> <td>/</td> <td></td> <td></td> <td></td> <td></td> <td></td> </tr> <tr> <td>/</td> <td></td> <td></td> <td></td> <td></td> <td></td> </tr> <tr> <td>/</td> <td></td> <td></td> <td></td> <td></td> <td></td> </tr> </table>		General tolerance	ISO - drawing, no manual modifications allowed	1st version	Sheet: 1	mm	of 1	/						/						/						/						/						/						<table border="1" style="width: 100%; border-collapse: collapse;"> <tr> <td>Werkstoff/Material</td> <td>Z015</td> <td>Tag/Date</td> <td>Name</td> <td>Zeichnung Nr./Drawing No.</td> <td>Index</td> </tr> <tr> <td>Herstellernummer</td> <td></td> <td>21.07.</td> <td>Nagengast F.</td> <td rowspan="2" style="text-align: center; font-size: large;">96.032.2051.4 13K</td> <td rowspan="2"></td> </tr> <tr> <td>Maßstab/Scale</td> <td>1:1</td> <td></td> <td></td> </tr> <tr> <td colspan="6" style="text-align: center; font-size: x-small;">Maße in mm/Dimensions are in mm</td> </tr> </table>	Werkstoff/Material	Z015	Tag/Date	Name	Zeichnung Nr./Drawing No.	Index	Herstellernummer		21.07.	Nagengast F.	96.032.2051.4 13K		Maßstab/Scale	1:1			Maße in mm/Dimensions are in mm						<table border="1" style="width: 100%; border-collapse: collapse;"> <tr> <td colspan="2">  </td> <td>Type</td> <td>Benennung/Title</td> </tr> <tr> <td colspan="2"> www.wieland-electric.com </td> <td></td> <td style="text-align: center; font-weight: bold;">STECKERTEIL male connector</td> </tr> </table>				Type	Benennung/Title	www.wieland-electric.com			STECKERTEIL male connector	
96.032.2051.4	RS12013F S2 MOOVL BR01	signal brown / signal brown																																																																																									
Bestellnummer / Order number	Typ / Type	Farbe / Color																																																																																									
Weitere Daten siehe KATALOG oder eCatalog. Additional data see CATALOG or eCatalog. www.wieland-electric.com eshop.wieland-electric.com																																																																																											
Toleranzierung Size ISO 14463 (Toleranz system Size ISO 14463) / Tolerances and deviations in accordance with DIN 52010 (1st amendment). (This ISO-standard describes the envelope principle. According to the envelope principle the deviations of form and position/tolerance are limited by the size tolerances.) / Tolerances must be declared if decorative hazardous substances are to be declared.																																																																																											
<table border="1" style="width: 100%; border-collapse: collapse;"> <tr> <th>General tolerance</th> <th>ISO - drawing, no manual modifications allowed</th> <th>1st version</th> <th>Sheet: 1</th> <th>mm</th> <th>of 1</th> </tr> <tr> <td>/</td> <td></td> <td></td> <td></td> <td></td> <td></td> </tr> <tr> <td>/</td> <td></td> <td></td> <td></td> <td></td> <td></td> </tr> <tr> <td>/</td> <td></td> <td></td> <td></td> <td></td> <td></td> </tr> <tr> <td>/</td> <td></td> <td></td> <td></td> <td></td> <td></td> </tr> <tr> <td>/</td> <td></td> <td></td> <td></td> <td></td> <td></td> </tr> <tr> <td>/</td> <td></td> <td></td> <td></td> <td></td> <td></td> </tr> </table>		General tolerance	ISO - drawing, no manual modifications allowed	1st version	Sheet: 1	mm	of 1	/						/						/						/						/						/						<table border="1" style="width: 100%; border-collapse: collapse;"> <tr> <td>Werkstoff/Material</td> <td>Z015</td> <td>Tag/Date</td> <td>Name</td> <td>Zeichnung Nr./Drawing No.</td> <td>Index</td> </tr> <tr> <td>Herstellernummer</td> <td></td> <td>21.07.</td> <td>Nagengast F.</td> <td rowspan="2" style="text-align: center; font-size: large;">96.032.2051.4 13K</td> <td rowspan="2"></td> </tr> <tr> <td>Maßstab/Scale</td> <td>1:1</td> <td></td> <td></td> </tr> <tr> <td colspan="6" style="text-align: center; font-size: x-small;">Maße in mm/Dimensions are in mm</td> </tr> </table>	Werkstoff/Material	Z015	Tag/Date	Name	Zeichnung Nr./Drawing No.	Index	Herstellernummer		21.07.	Nagengast F.	96.032.2051.4 13K		Maßstab/Scale	1:1			Maße in mm/Dimensions are in mm																														
General tolerance	ISO - drawing, no manual modifications allowed	1st version	Sheet: 1	mm	of 1																																																																																						
/																																																																																											
/																																																																																											
/																																																																																											
/																																																																																											
/																																																																																											
/																																																																																											
Werkstoff/Material	Z015	Tag/Date	Name	Zeichnung Nr./Drawing No.	Index																																																																																						
Herstellernummer		21.07.	Nagengast F.	96.032.2051.4 13K																																																																																							
Maßstab/Scale	1:1																																																																																										
Maße in mm/Dimensions are in mm																																																																																											
<table border="1" style="width: 100%; border-collapse: collapse;"> <tr> <td colspan="2">  </td> <td>Type</td> <td>Benennung/Title</td> </tr> <tr> <td colspan="2"> www.wieland-electric.com </td> <td></td> <td style="text-align: center; font-weight: bold;">STECKERTEIL male connector</td> </tr> </table>				Type	Benennung/Title	www.wieland-electric.com			STECKERTEIL male connector																																																																																		
		Type	Benennung/Title																																																																																								
www.wieland-electric.com			STECKERTEIL male connector																																																																																								