

UK Installation instructions

DE Montageanleitung

CZ Montážní návod

DK Monteringsvejledning

EE Paigaldusjuhend

FI Asennusohje

FR Notice de montage

HU Szerelési útmutató

IT Istruzioni di montaggio

LT Montavimo Instrukcijos

LV Instalācijas instrukcija

NO Monteringsanvisning

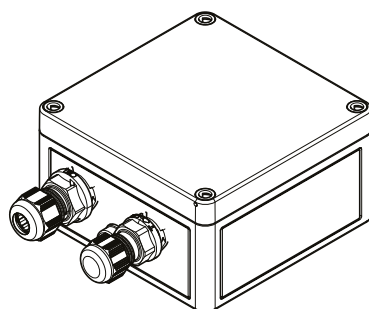
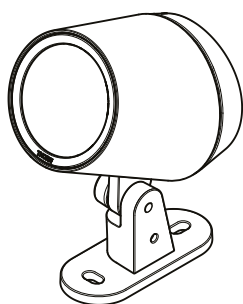
PL Instrukcja montażu

SE Installationsanvisning

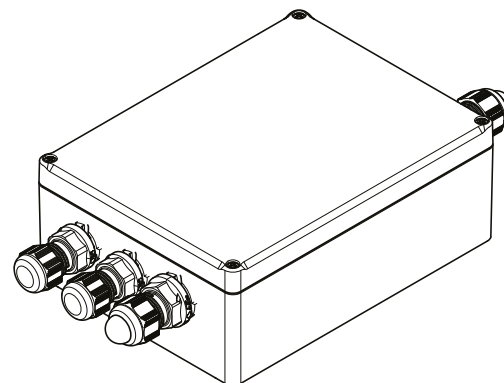
RU ИНСТРУКЦИЯ ПО МОНТАЖУ

TYPE : CONTRAST 3 4L SMALL

CBOX A
connection HFX-6K



CBOX B
connection HFX-SP / RGBW / BW



The luminaire with clear optic should be positioned so that prolonged staring into the luminaire at a distance <2m is not expected

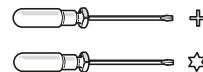
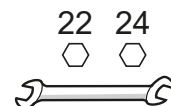
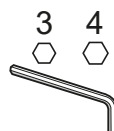


CLASS II

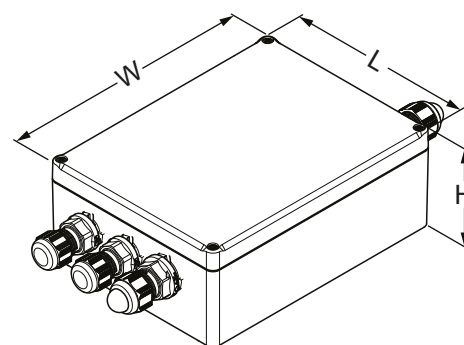
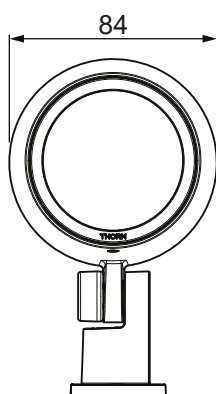
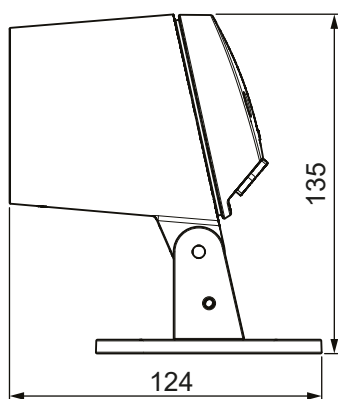
IP66

IK08

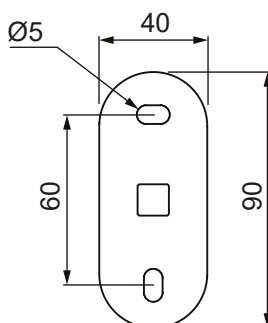
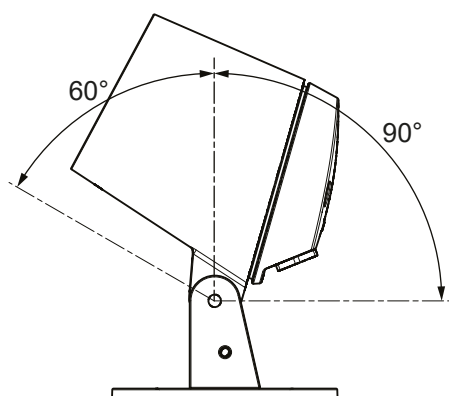
CE



1



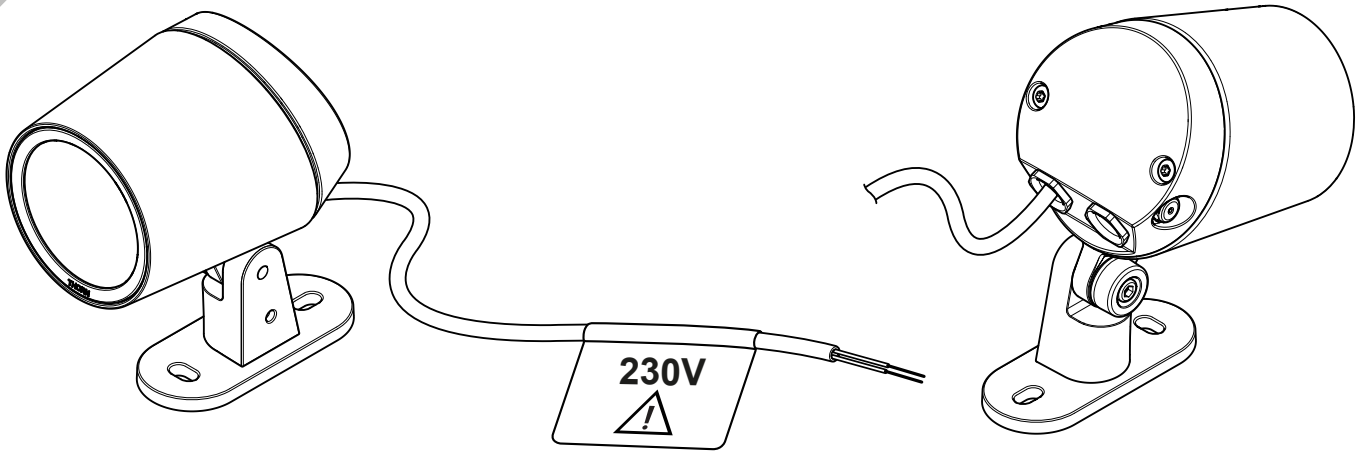
	W (mm)	L (mm)	H (mm)
CBOX A	130	130	75
CBOX B	202	150	77,5



SCx	0,008
4L	

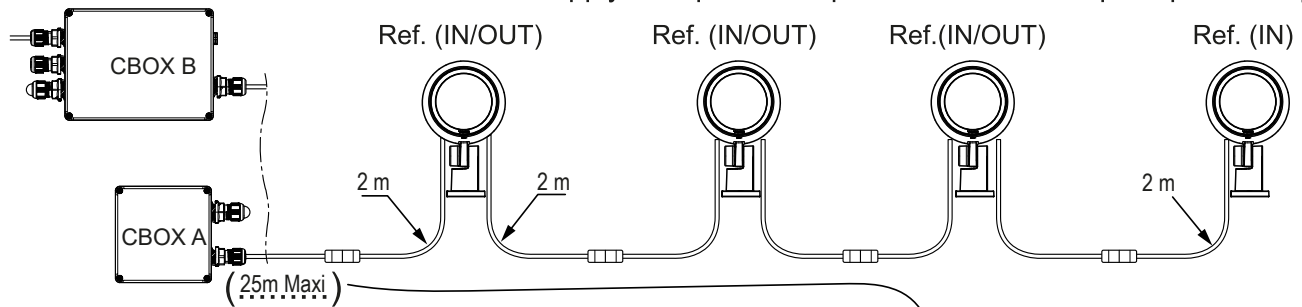
		1 kg
		1 kg
		1,3 kg

2 CONTRAST 3 HF VERSIONS



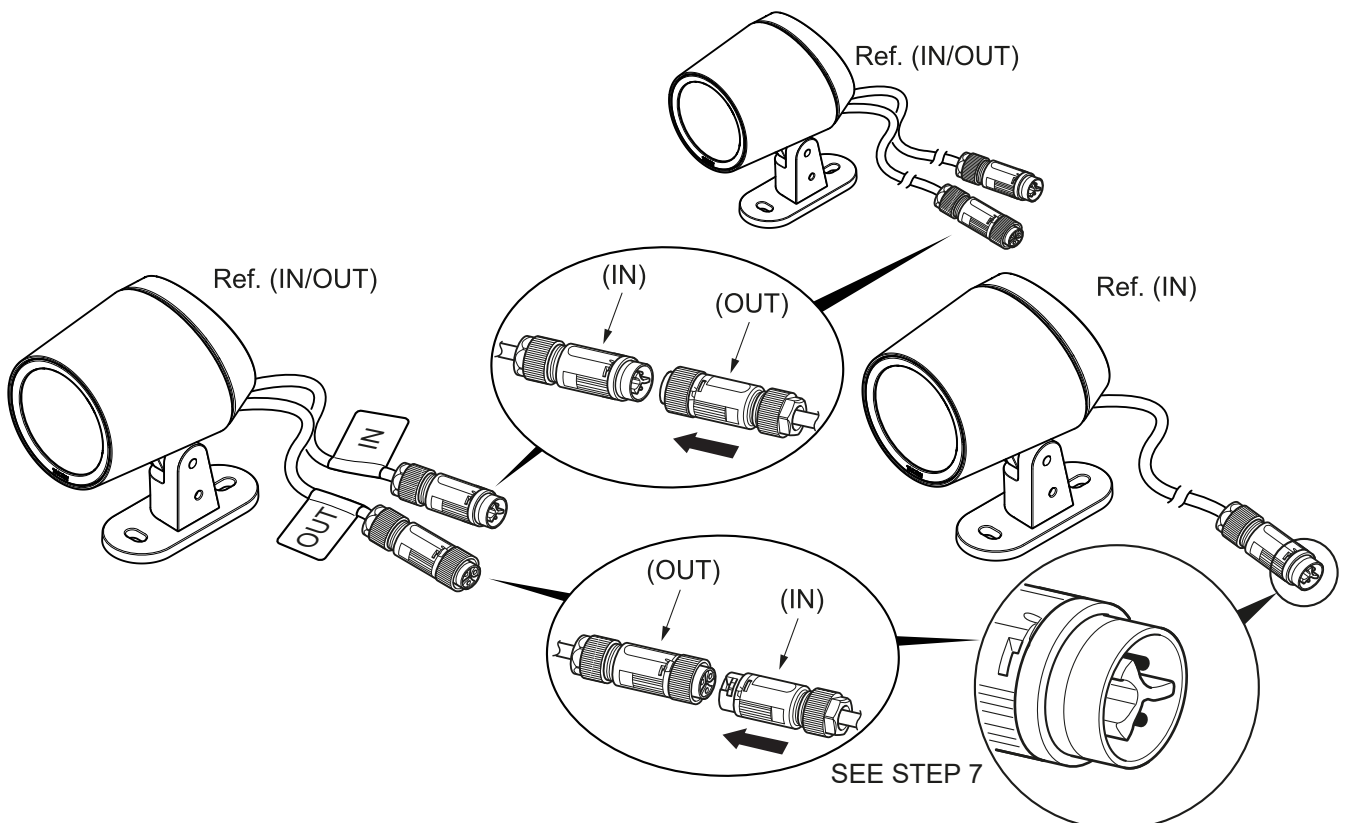
3 CONTRAST 3 all White temperature versions

Remote Power Supply / Loop IN – Loop – OUT connection principle (example)



	Number of luminaires				
	... 2	3	4	5	6...
Max lenght (Cross section 1 mm ²)		29m	39m	49m	
Total power consumption CONT3 4L WHITE CBOX [...] 96633486 / 96633487		22W	28W	34W	

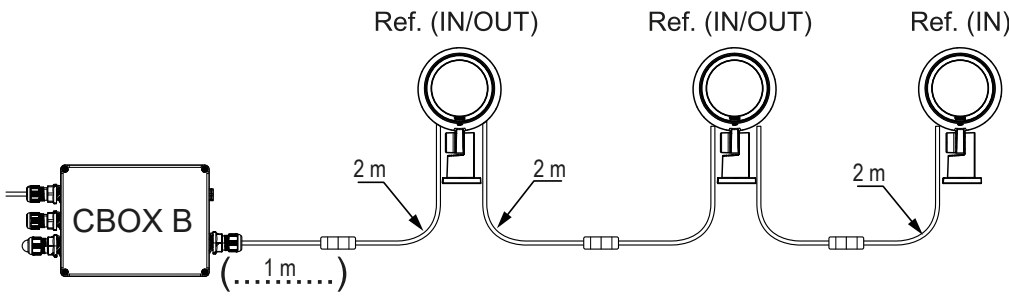
Procedure to calculate : 1 box and 4 products in example
 $3\text{products} \times 4\text{m} + 1\text{product} \times 2\text{m} = 14\text{m}$
 Distance MAXIMUM between the box and the first product
 $39\text{m} - 14\text{m} = 25\text{m}$



4

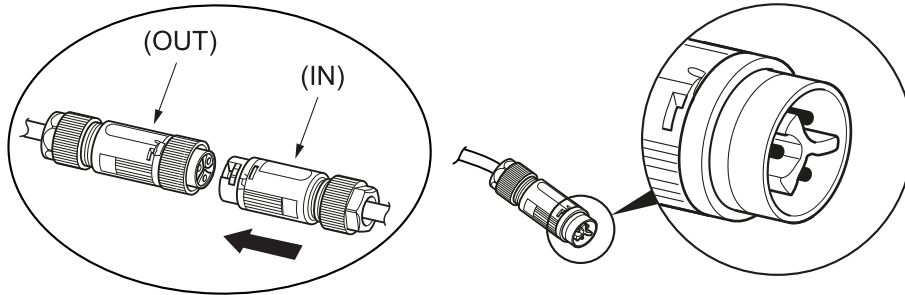
CONTRAST 3 BW

Remote Power Supply / Loop IN – Loop – OUT connection principle (example)



	Number of luminaires				
	... 2	3	4	5	6...
Max lenght (Cross section 1 mm ²)		11m	14m	18m	
Total power consumption CONT3 4L BW CBOX [...] 96633488		23W	31W	37W	

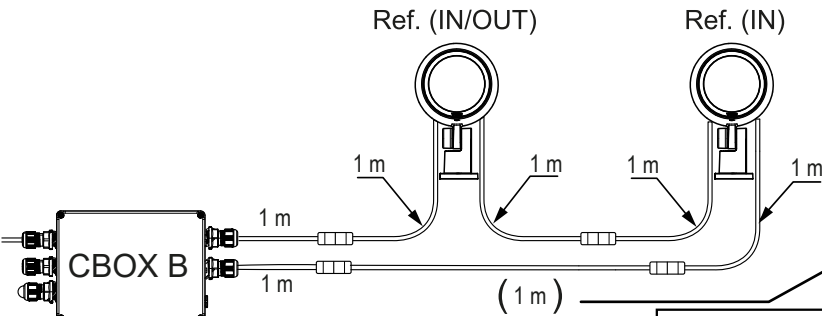
Procedure to calculate : 1 box and 3 products in example
 $2\text{products} \times 4\text{m} + 1\text{product} \times 2\text{m} = 10\text{m}$
 Distance MAXIMUM between the box and the first product
 $11\text{m} - 10\text{m} = 1\text{m}$



5

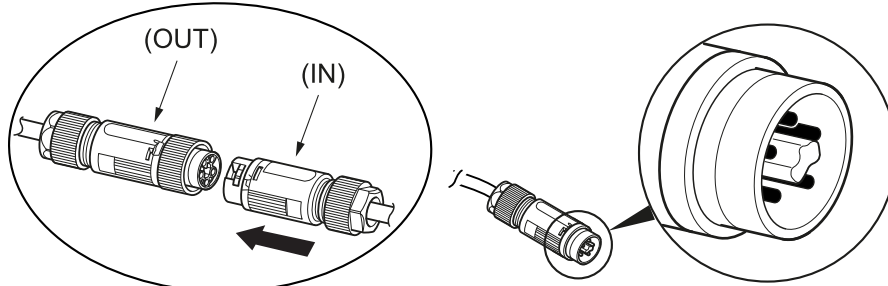
CONTRAST 3 RGBW

Remote Power Supply / Loop IN – Loop – OUT connection principle (example)

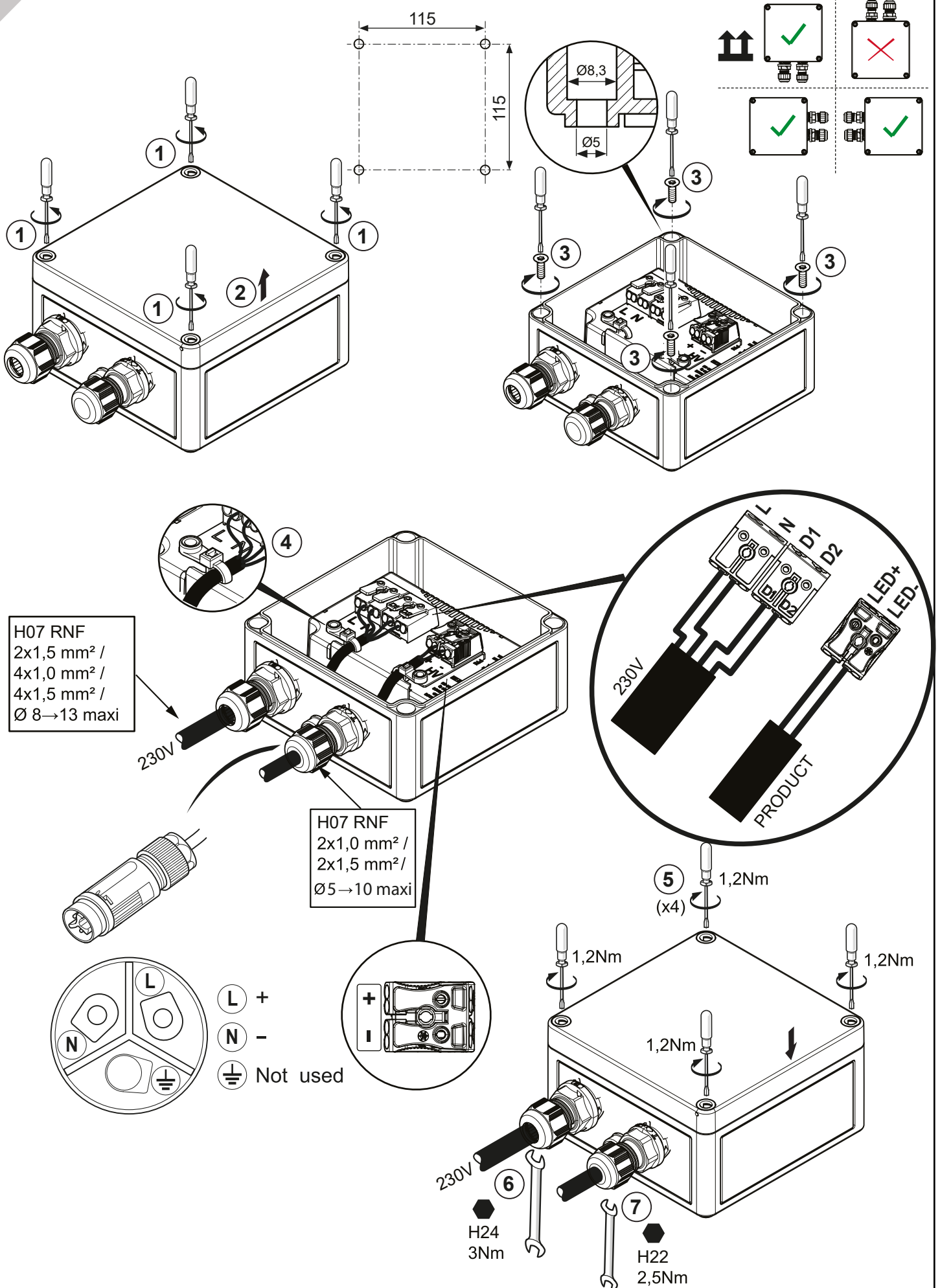


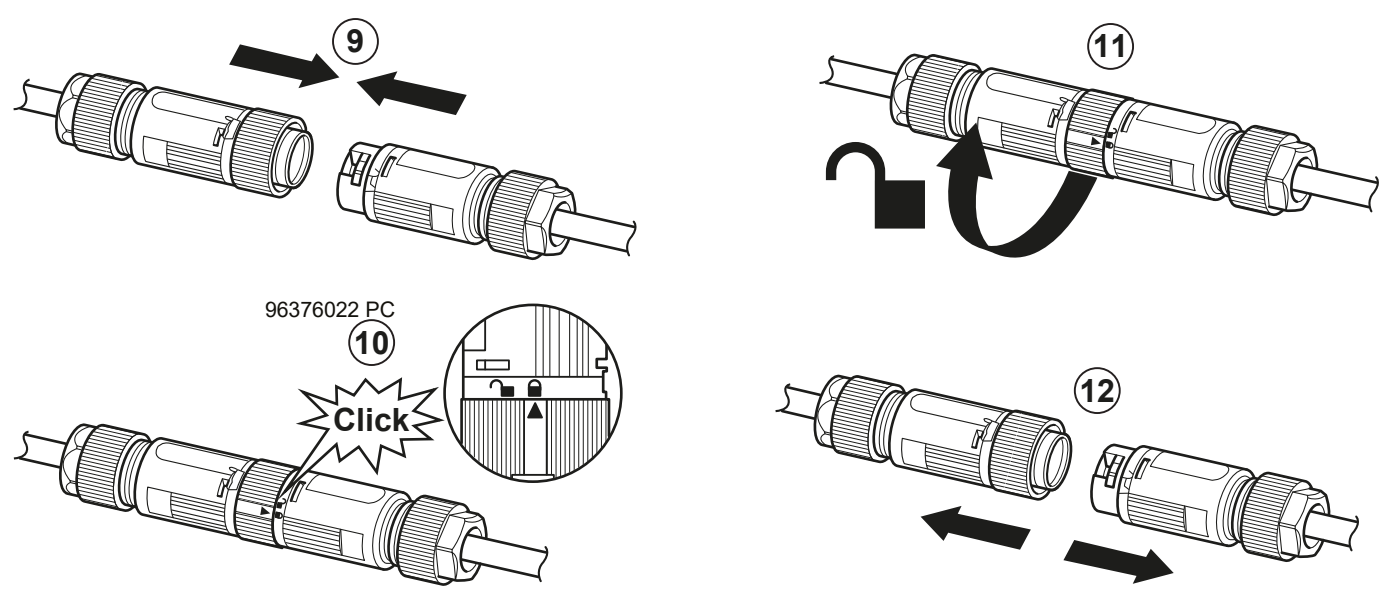
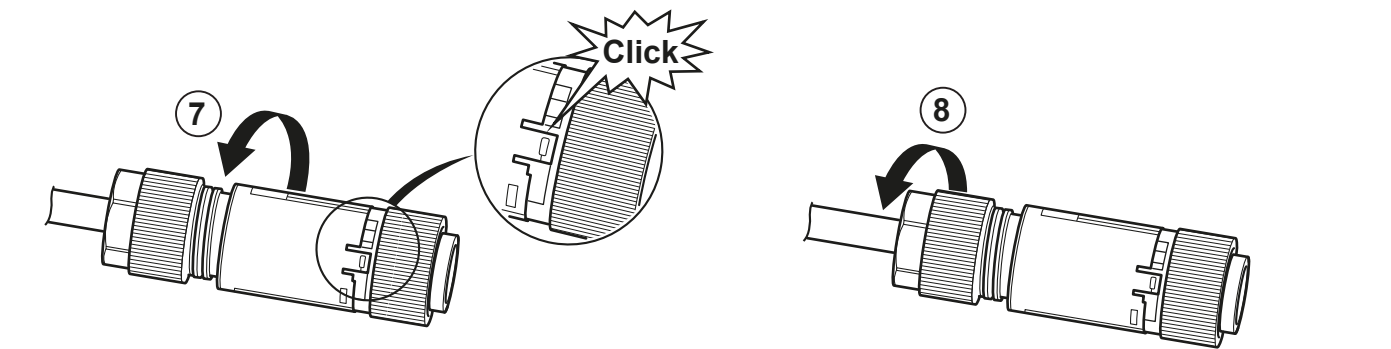
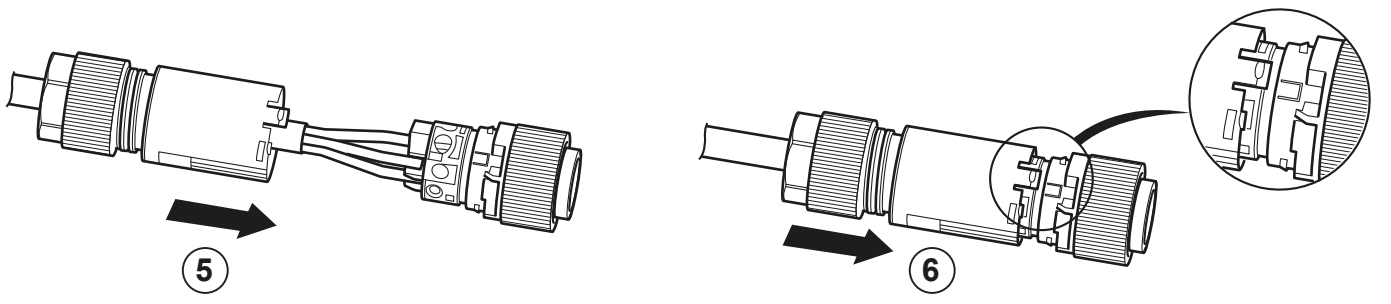
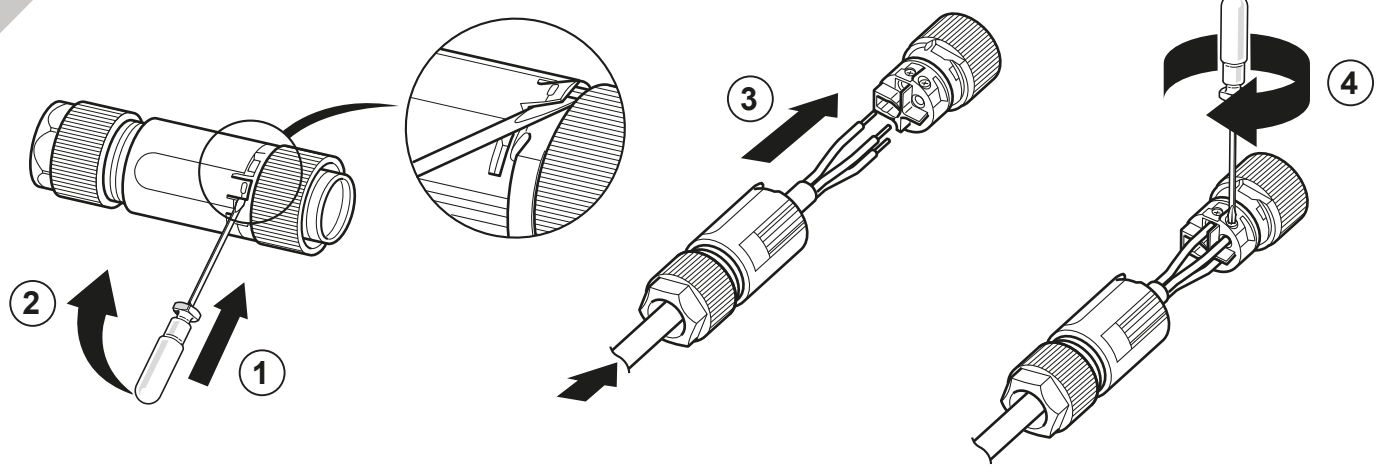
Procedure to calculate : 1 box and 2 products in example
 Total maximum distance = 7m
 Out of the product 2m (1m IN and 1m OUT) = 4m for 2 products
 Out of the Box = 2m (1m IN and 1m OUT)
 $7\text{m} - 6\text{m} = 1\text{m}$
 1m to dispatch between the box and the product

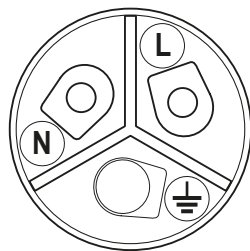
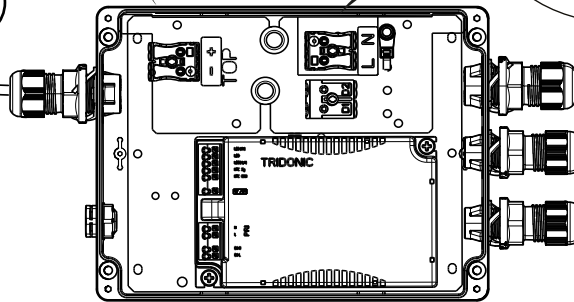
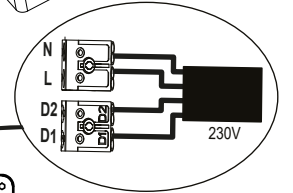
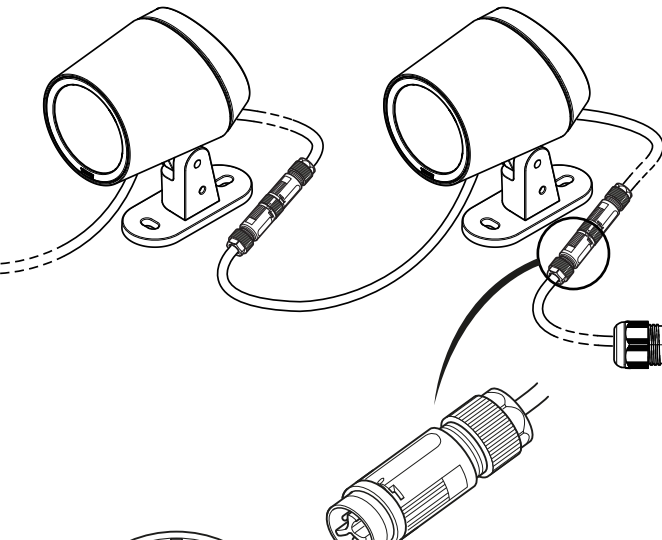
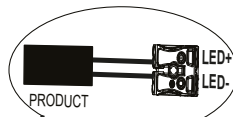
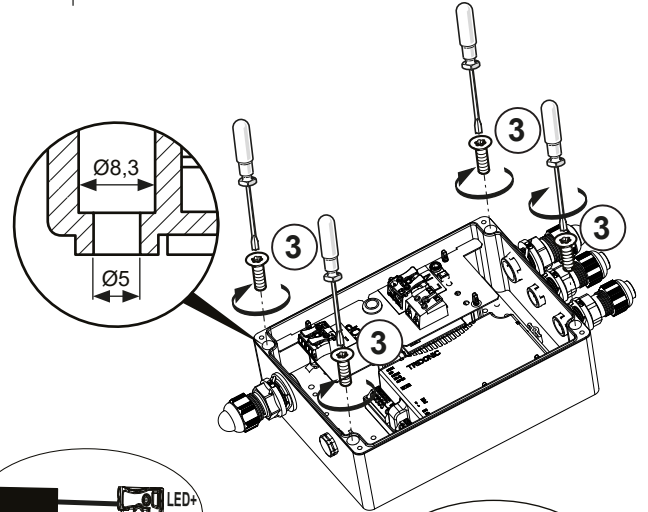
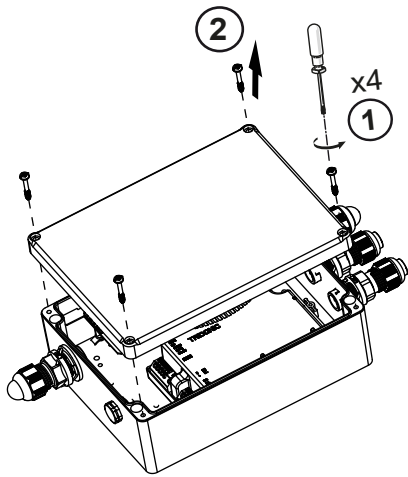
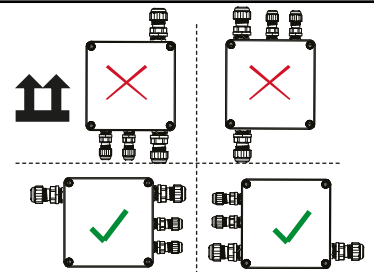
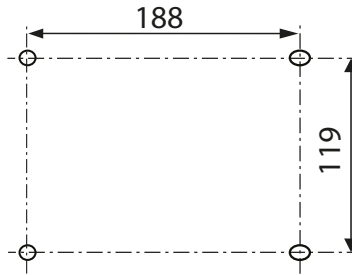
	Number of luminaires						
	1	2	3	4	5	6	7
Max loop lenght (Cross section 1 mm ²)	-	7m	11m	15m	19m	22m	26m
Total power consumption CONT3 4L RGBW CBOX 96636991	-	17W	26W	34W	42W	49W	57W



6 CBOX A HFX-6K all WHITE temperature versions



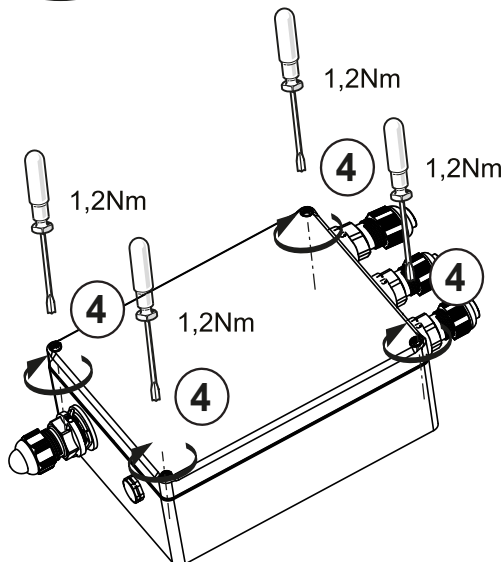




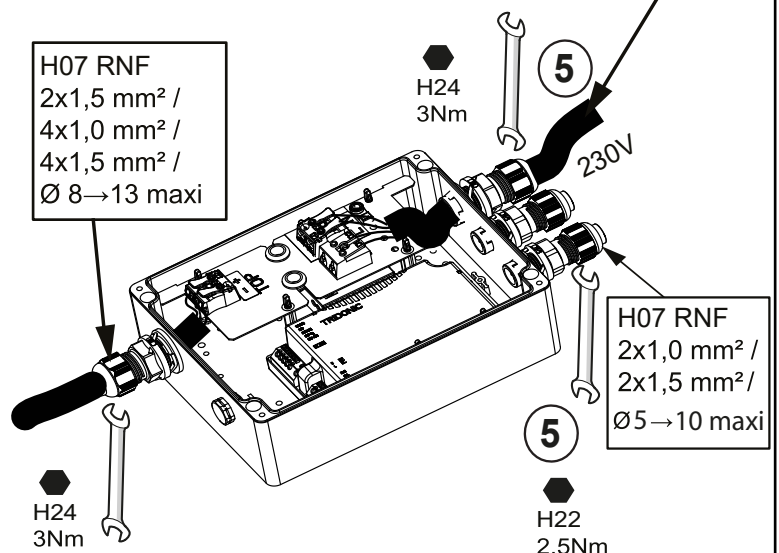
H07RN 1,5mm²



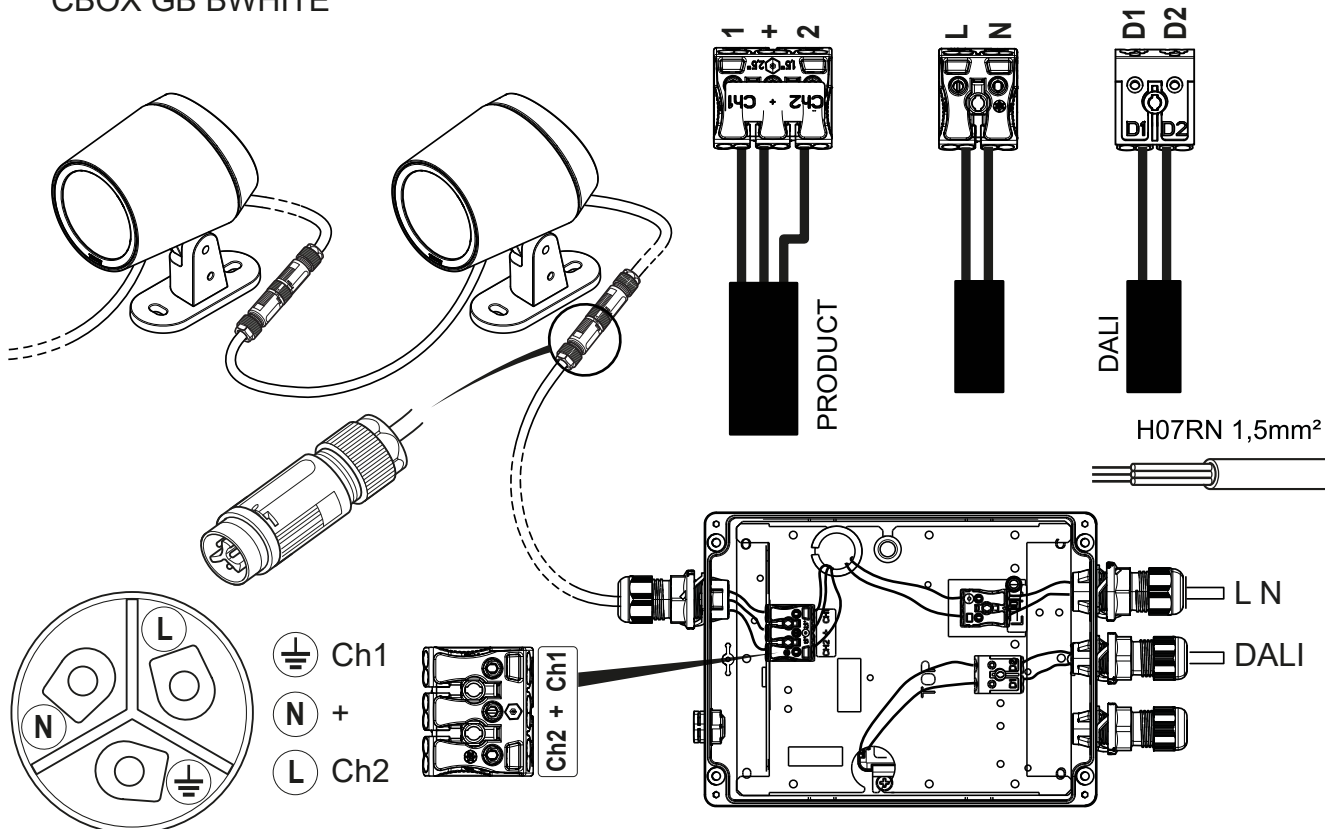
H07 RNF
2x1,5 mm² /
4x1,0 mm² /
4x1,5 mm² /
Ø 8→13 maxi



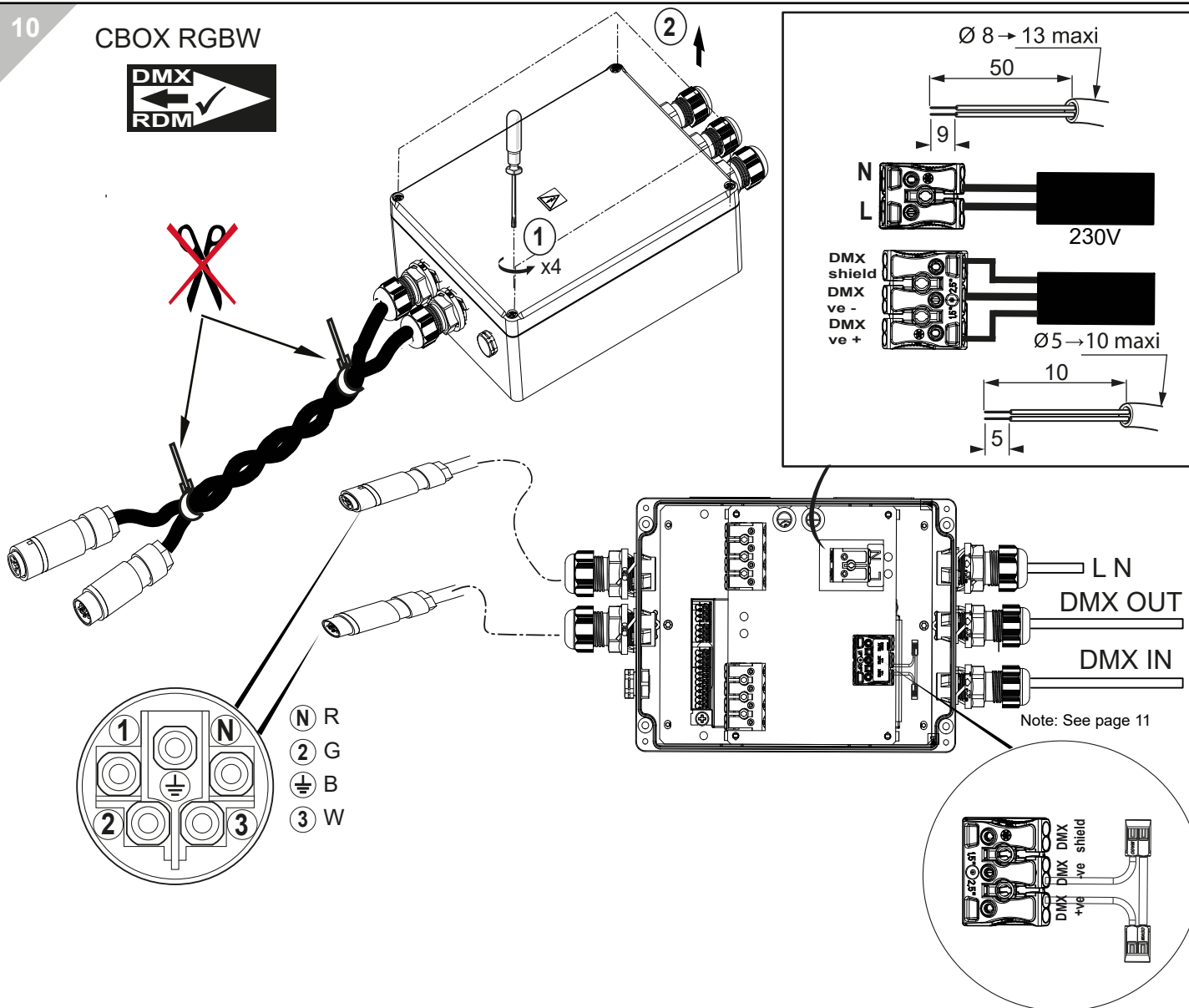
H07 RNF
2x1,5 mm² /
4x1,0 mm² /
4x1,5 mm² /
Ø 8→13 maxi

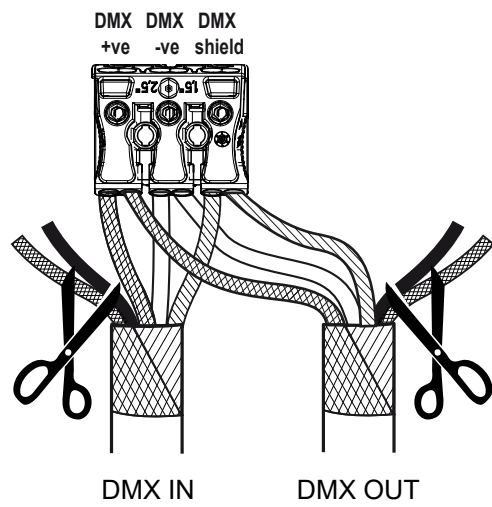
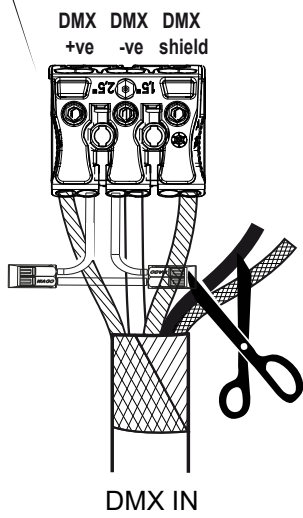
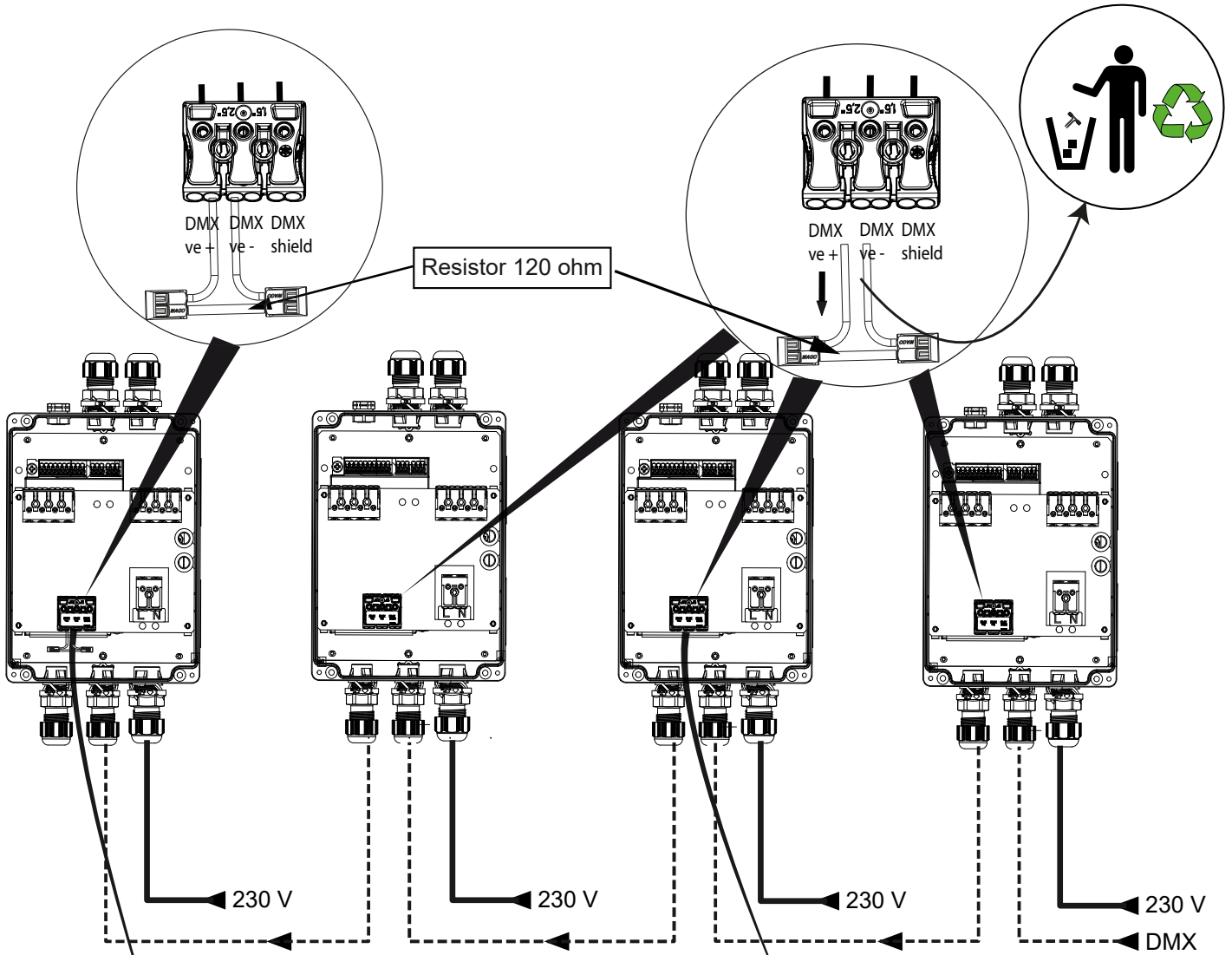


CBOX GB BWHITE

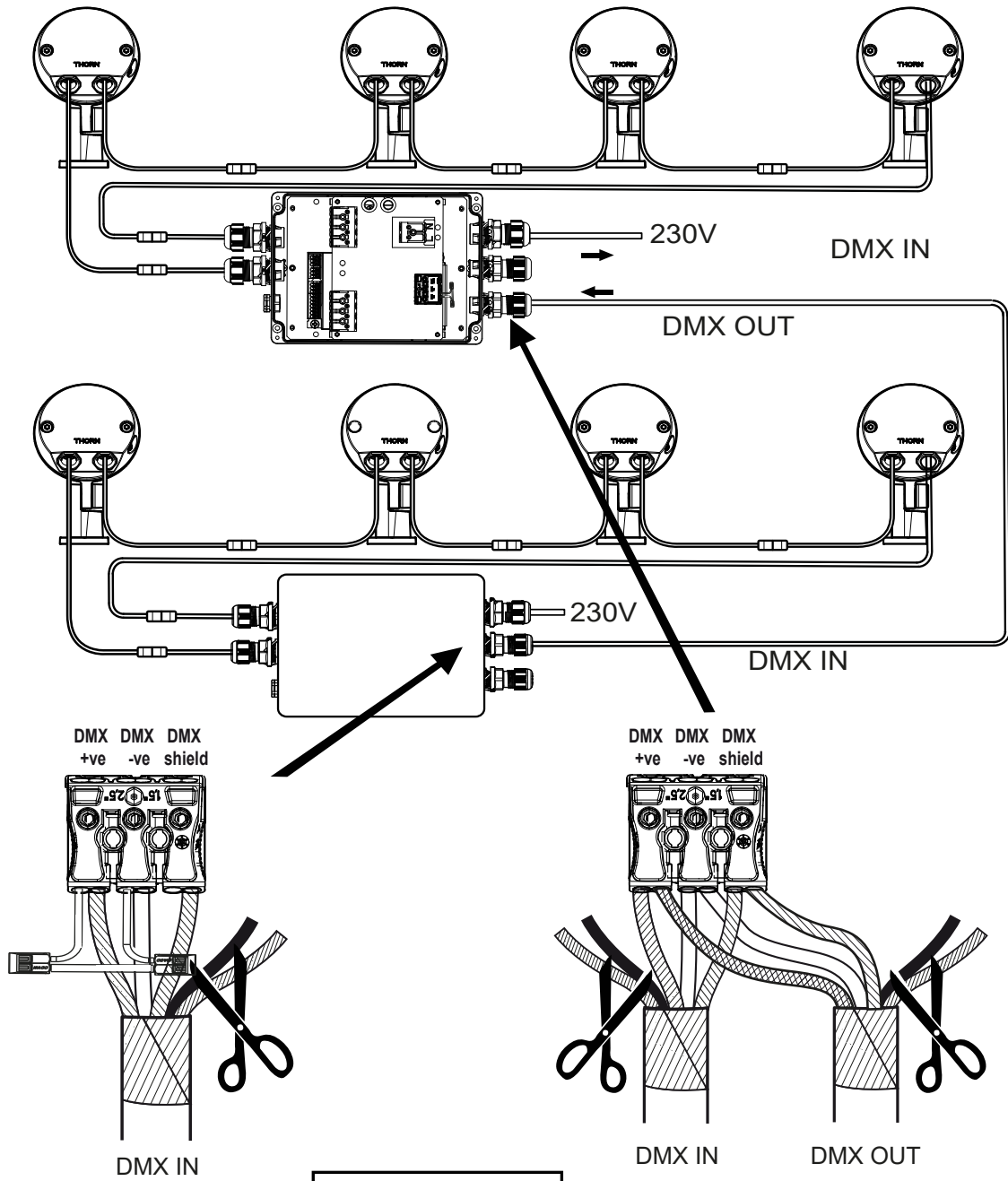


CBOX RGBW






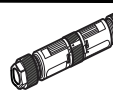


DMX 512 Cable
Ref. 96261601



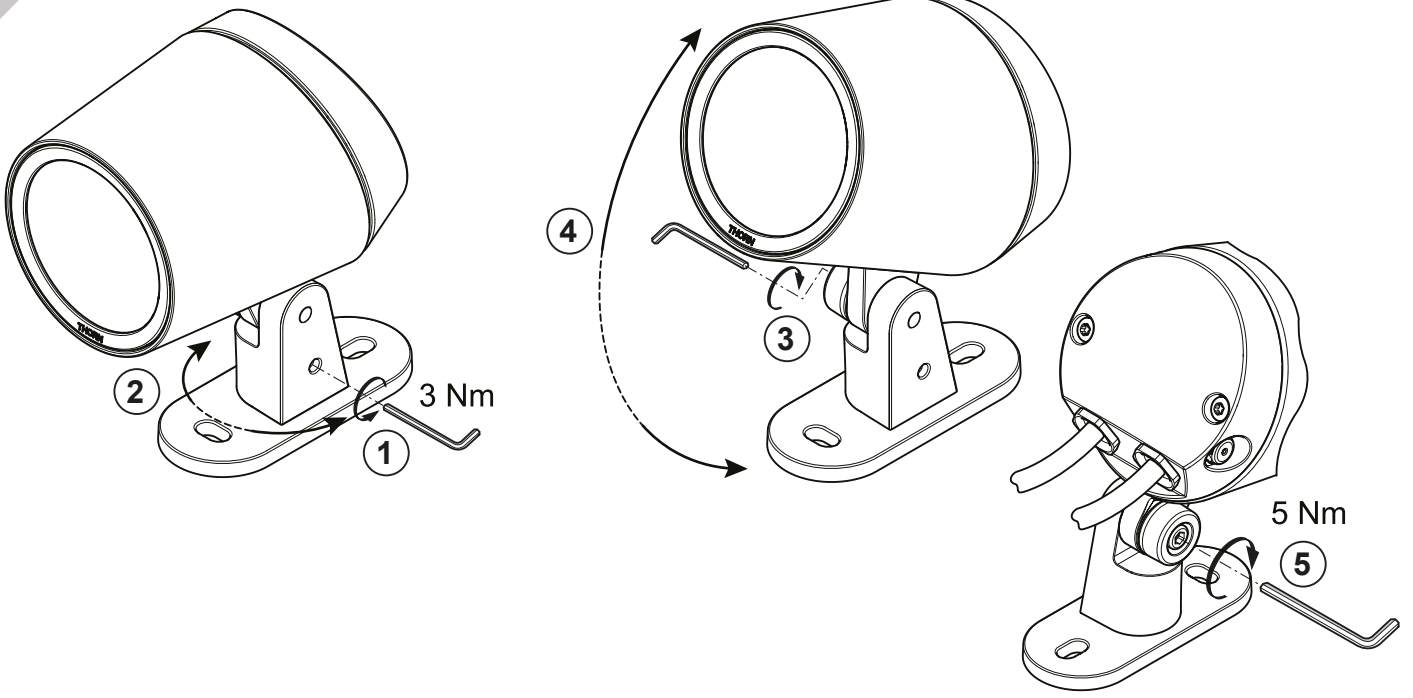
DMX 512 Cable
Ref. 96261601

TYPE : SPARE CONNECTION IN/OUT CONTRAST 3/4L

	2 pins version Mono (white or blue)	Spare : 59012023
	3 pins version Balance white	Spare : 59011811
	5 pins version RGBW product	Spare : 59012017
	5 pins M/F version RGBW product	Accessory : 96635279

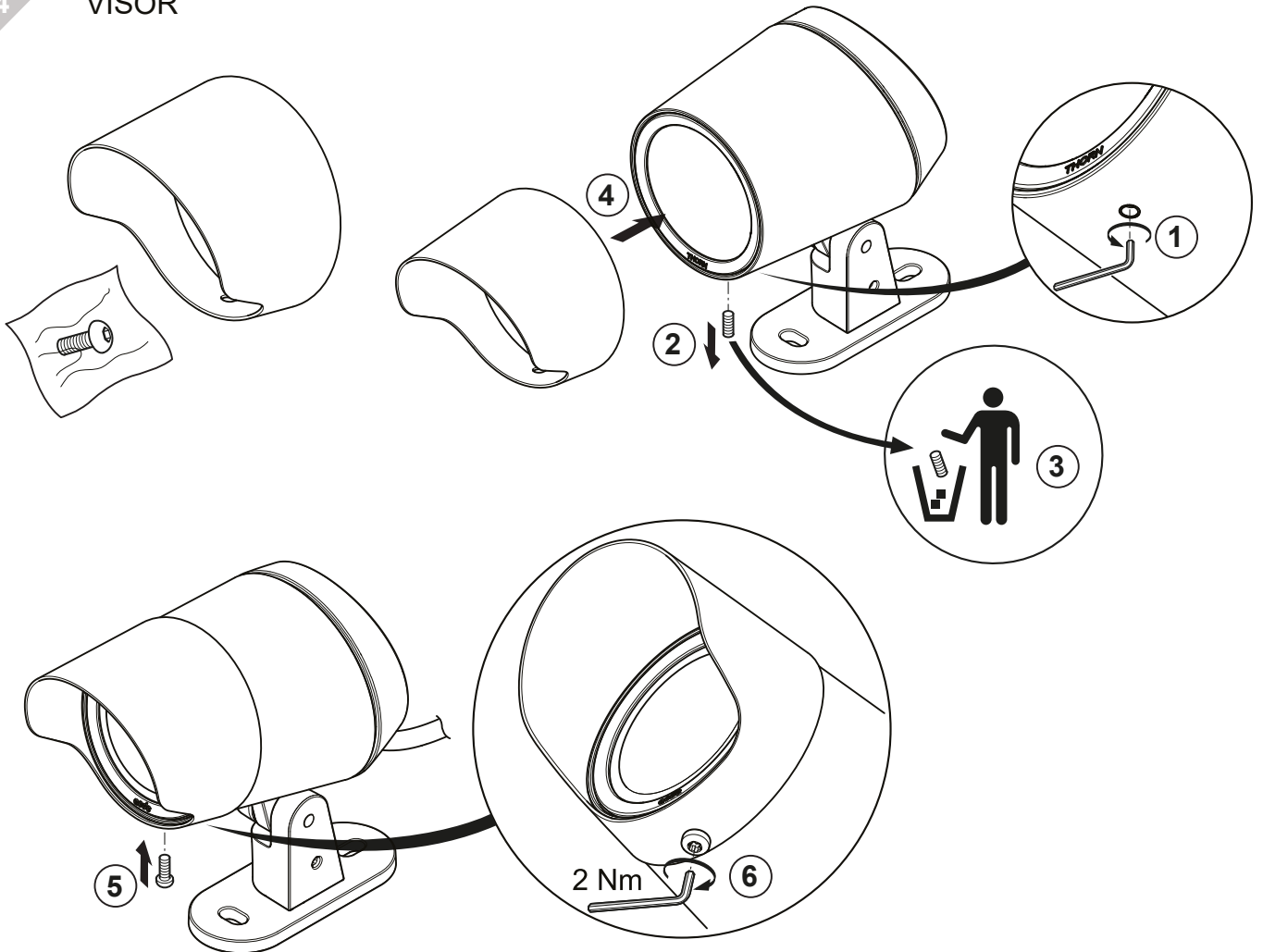
13

TILTING



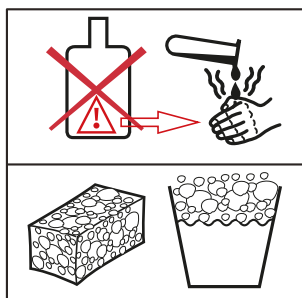
14

VISOR





EVERY 6 MONTHS



FRANCAIS

-Remplacer toute protection fissurée.
-Les luminaires classe II doivent être installés de façon à ce que la partie métallique ne soit pas en contact avec l'installation électrique connectée à la terre.

ATTENTION: Les luminaires classe I doivent être reliés à la terre.

-Ce luminaire fonctionne à une tension nominale qui doit être coupée avant toute intervention sur l'appareillage.
-Toute modification de cet appareil est interdite.
-Respecter la distance minimale par rapport aux objets éclairés définie par ce sigle.

SVERIGE

-Ersätta alla spräckta skyddsplåtar.
-Klass II armaturer måste installeras så att nakna metalldelar i armaturen inte är i kontakt med någon elektrisk installation, kopplad till en skyddledare.

WARNING: Klass I armaturer måste vara jordade.

-Denna armatur fungerar med högspänning som måste vara fränslagen före ingripande i driftdonen.
-Alla ändringar i denna armatur är förbjuden.

ITALIANO

-Sostituire sempre tutte le protezioni danneggiate.
-Gli apparecchi in classe II devono essere installati in modo che le parti metalliche non siano in contatto con apparati elettrici collegati a terra.

ATTENZIONE: Gli apparecchi in class I devono essere collegati a terra.

-Questo apparecchio funziona a tensione nominale, questa deve essere interrotta prima di ogni intervento sul gruppo di alimentazione.
-Ogni modifica dell' apparecchio è proibita.

ENGLISH

-Replace any cracked protective shield.
-Class II luminaires must be installed so that exposed metal work of the luminaire is not in contact with any part of the electrical installation connected to a protective conductor.

WARNING: Class I luminaires must be earthed.

-This luminaire operates at mains voltage which must be switched off before intervention in control gear.
-Any modification to this luminaire is forbidden.
-Lighted objects nearer than the minimal distance in the is forbidden.

DEUTSCH

-Ersetze jede gebrochene Schutzscheibe.
-Schutzklasse II Leuchten müssen so installiert werden, daß berührbare Metallteile nicht mit einem, an dem Schutzleiter angeschlossenen Teil der elektrischen Installation in Kontakt kommen können.

ACHTUNG: Schutzklasse I Leuchten müssen geerdet sein.

-Diese Leuchte wird mit Netzspannung betrieben. Bevor Eingriffe am Vorschaltgerät vorgenommen werden sowie vor Wartung und Installation, ist die Versorgungsspannung abzuschalten.
-Jede Änderung an dieser Leuchte ist verboten.

SUOMI

-Rikkoontunut suojalasi vaihdettava välittömästi uutsen vastaavaan.
-Asennettaessa suojausluokan II valaisinta on peruseristetyin johdon ja kosketeltavien metalliosien välinen kosketus tehokkaasti eristettävä.

VAROITUS: Suojausluokan I valaisin täytyy maadoittaa.

-Verkköjännite on kytkettävä pois ennen valaisimen huoltotoimenpiteitä.
-Valaisimen rakennetta ei saa muuttaa.