

8040/11-V30-033-S Art. No. 245656



- Available as 2 pole OFF switch or changeover switch
- Enclosure made of optical fibre reinforced polyester resin
- Degree of protection IP66 according to IEC/EN 60529
- Clear position indicator 0/1 or ON/OFF

WebCode 8040F



The installation switches series 8040/11-V30 are used for lighting installations. Due to the 90° switching, the switching position is clearly indicated. This is an advantage if the lighting installation and the switch are located in different rooms. The fluorescent rotary actuator allows orientation in case of a lighting failure.

Technical Data

Explosion Protection

Scope of validity	ATEX IECEX
Application range (zones)	1 2 21 22
IECEX gas certificate	IECEX PTB 06.0025
IECEX gas explosion protection	Ex db eb IIC T6 Gb
IECEX dust certificate	IECEX PTB 06.0025
IECEX dust explosion protection	Ex tb IIIC T80 °C Db
ATEX gas certificate	PTB 01 ATEX 1105
ATEX gas explosion protection	⊕ II 2 G Ex db eb IIC T6 Gb
ATEX dust certificate	PTB 01 ATEX 1105
ATEX dust explosion protection	⊕ II 2 D Ex tb IIIC T80 °C Db
EAC certificate	TS RU S-DE.AA71.B.00115
EAC gas explosion protection	⊕ 1Ex e . IIC T6...T4 Gb X
EAC dust explosion protection	⊕ Ex tb IIIC T80 ... T130 °C DbX
Certificates	ATEX (PTB), Brazil (ULB), China (NEPSI), EAC (LPE), IECEx (PTB), India (PESO), Taiwan (ITRI)
Ship approval	DNVGL

Electrical Data

Rated operational voltage DC	220 V
Rated operational voltage AC	690 V
Rated operational current	16 A (T6)
No. of poles	2

Ambient Conditions

Ambient temperature	-60 °C ... +60 °C
---------------------	-------------------

8040/11-V30-033-S Art. No. 245656

Mechanical Data

Version	OFF switch
Degree of protection (IP)	IP66
Degree of protection note	according to IEC/EN 60529
Enclosure material	Polyester, glass fibre-reinforced
Sealing material	Silicone
Contact material	silver-nickel
Silicone-free	No
Connection terminals min.	1.5 mm ²
Connection terminals solid max.	4 mm ²
Connection terminals finely-stranded max.	2.5 mm ²
Service life, min.	100.000 operations
Weight	0.6 kg
Weight	1.32 lb

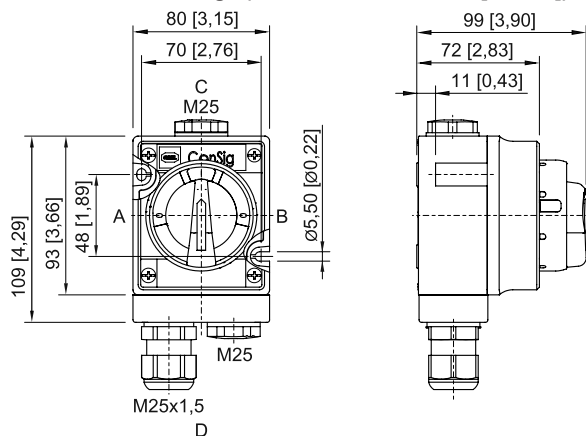
Mounting / Installation

Tightening torque	1.8 Nm
-------------------	--------

Components

Cable entries	1xM25Ø7...17mm
Stopping plug	2 x M25 x 1,5

Dimensional Drawings (All Dimensions in mm [inches]) – Subject to Alterations



Accessories

Switch		Art. No.
	Off switch	128441

We reserve the right to make alterations to the technical data, dimensions, weights, designs and products available without notice. The illustrations cannot be considered binding.