

plug - INNOLINQ lead-free, with QUICK-CONNECT and MULTI-GRIP



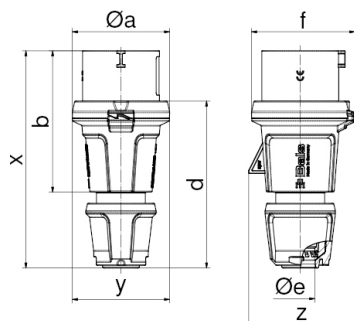
Product description	
BALS-Prd.-Nr	215
EAN	4024941345910
Product category	Plug INNOLINQ QC
Current	16A
Number of poles	4p
Arrangement of phases	3P+PE
Position of earth contact	6 h
Voltage	380 - 415V~

Product description	
Frequency	50/60Hz
Protection degree	IP54
Colour code	red RAL 3000
Colour of appliance	Collar red RAL 3000, Housing cover dark grey RAL 7012, Cable gland dark grey RAL 7012
Connection design	screwless spring terminals with KONTEX-ULTRA contact
Maximum conductor size	2,5 qmm
Cable entry	with cable gland
Height	160mm
Width	71mm
Depth	76mm
Material of enclosure	Polyamide
Contacts	The contacts are brass, The contact carrier is made of high temperature resistant material

Additional technical properties	
	This product is without any lead
	Screwless housing connection with snap fastening, Multi-Grip cable gland with gasket and integrated strain relief

Logistics data	
Weight/pcs	0.165 kg / Piece
Packaging	Bag

Logistics data	
Content amount	1 ST
EAN	4024941345910
Length	77 mm
Width	72 mm
Height	161 mm
Weight	0.166 kg
Volume	892.584 ccm
Packaging	Carton
Content amount	10 ST
EAN	4024941345927
Length	387 mm
Width	222 mm
Height	150 mm
Weight	1.843 kg
Volume	11,029.5 ccm



Ampere	16	16	32	32	32
Polzahl	3	5	3	4	5
Ø a	59,0	71,0	80,0	80,0	80,0
b	94,0	103,0	124,0	124,0	124,0
d	109,0	123,0	145,0	145,0	145,0
Ø e	18,0	21,0	29,0	29,0	29,0
f	63,0	76,0	85,0	85,0	85,0
x	145,0	160,0	191,0	191,0	191,0
y	59,0	71,0	80,0	80,0	80,0
z	64,0	78,0	85,0	85,0	89,0
Cond. mm ² min	1	1	2,5	2,5	2,5
Cond. mm ² max	2,5	2,5	6,0	6,0	6,0

