

connector - INNOLINQ lead-free, with QUICK-CONNECT and MULTI-GRIP



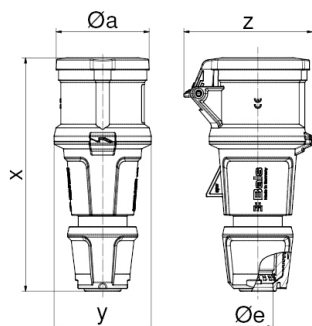
| Product description | |
|---------------------------|-----------------------|
| BALS-Prd.-Nr | 315 |
| EAN | 4024941347211 |
| Product category | Connector INNOLINQ QC |
| Current | 16A |
| Number of poles | 4p |
| Arrangement of phases | 3P+PE |
| Position of earth contact | 6 h |
| Voltage | 380 - 415V~ |

| Product description | |
|------------------------|--|
| Frequency | 50/60Hz |
| Protection degree | IP54 |
| Colour code | red RAL 3000 |
| Colour of appliance | Hinged lid dark grey RAL 7012, Collar red RAL 3000, Housing cover dark grey RAL 7012, Cable gland dark grey RAL 7012 |
| Connection design | screwless spring terminals with KONTEX-ULTRA contact |
| Maximum conductor size | 2,5 qmm |
| Cable entry | with cable gland |
| Height | 171mm |
| Width | 71mm |
| Depth | 90mm |
| Material of enclosure | Polyamide |
| Contacts | The contacts are brass, The contact carrier is made of high temperature resistant material |

| Additional technical properties | |
|---------------------------------|---|
| | This product is without any lead |
| | Screwless housing connection with snap fastening, Multi-Grip cable gland with gasket and integrated strain relief |

| Logistics data | |
|----------------|----------------|
| Weight/pcs | 0.2 kg / Piece |
| Packaging | Bag |

| Logistics data | |
|----------------|---------------|
| Content amount | 1 ST |
| EAN | 4024941347211 |
| Length | 92 mm |
| Width | 71 mm |
| Height | 171 mm |
| Weight | 0.201 kg |
| Volume | 1,116.972 ccm |
| Packaging | Carton |
| Content amount | 10 ST |
| EAN | 4024941347228 |
| Length | 258 mm |
| Width | 183 mm |
| Height | 212 mm |
| Weight | 2.152 kg |
| Volume | 8,750 ccm |



| Ampere Polzahl | 16 3 | 16 5 | 32 3 | 32 4 | 32 5 |
|---------------------------|---------|---------|---------|---------|---------|
| Ø a | 55,0 | 68,0 | 69,0 | 69,0 | 76,0 |
| x | 157,0 | 171,0 | 205,0 | 205,0 | 205,0 |
| y | 59,0 | 71,0 | 80,0 | 80,0 | 80,0 |
| z | 80,0 | 94,0 | 99,0 | 99,0 | 105,0 |
| Ø e | 18,0 | 21,0 | 29,0 | 29,0 | 29,0 |
| Cond. mm ² min | 1 | 1 | 2,5 | 2,5 | 2,5 |
| Cond. mm ² max | 2,5 | 2,5 | 6,0 | 6,0 | 6,0 |

