

## Accessories plugs/connectors - Closure cap for CEE plugs



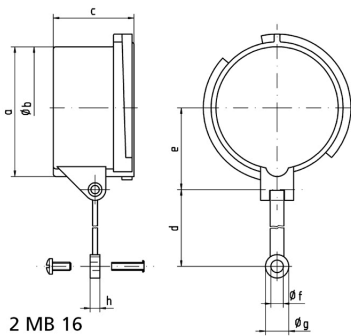
Product description	
BALS-Prd.-Nr	834
EAN	4024941008341
Product category	closure cap
Current	125A
Number of poles	3p, 4p, 5p
Arrangement of phases	3p, 4p, 5p
Protection degree	IP67
Colour code	grey RAL 7035

Product description	
Height	117mm
Width	108mm
Depth	80mm
Material of enclosure	Polyamide

Additional technical properties	
	With strap

Logistics data	
Weight/pcs	0.125 kg / Piece
Packaging	Bag
Content amount	1 ST
EAN	4024941008341
Length	80 mm
Width	108 mm
Height	117 mm
Weight	0.126 kg
Volume	1,010.88 ccm
Packaging	Carton
Content amount	40 ST
EAN	4024941953122
Length	590 mm

Logistics data	
Width	380 mm
Height	230 mm
Weight	5.755 kg
Volume	45,066 ccm



Ampere Polzahl	16 3	16 4	16 5	32 3/4	32 5	63 3/4/5	125 3/4/5
a	53,0	59,5	67,0	70,0	76,5	83,5	95,5
b ø	49,5	55,7	63,0	64,0	70,5	76,5	89,0
c	41,5	41,5	41,5	51,5	51,5	72,5	80,0
d	133,0	133,0	133,0	133,0	133,0	155,0	155,0
e	34,5	38,0	42,0	44,0	48,0	52,0	57,5
f ø	6,4	6,4	6,4	6,4	6,4	6,4	6,4
g ø	12,0	12,0	12,0	12,0	12,0	12,0	12,0
h	5,0	5,0	5,0	5,0	5,0	5,0	5,0