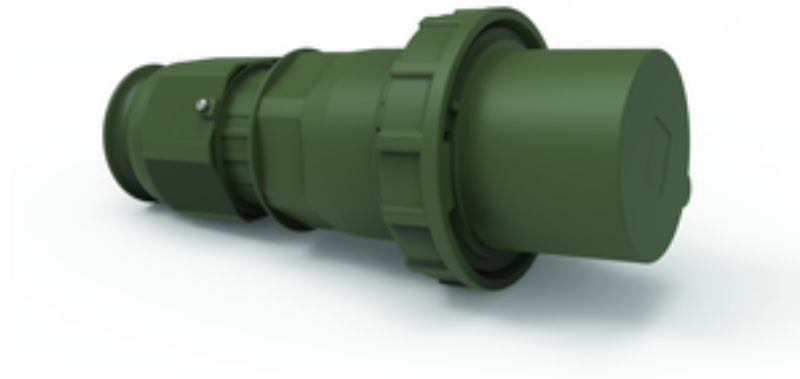


TN plug - with cable gland, with closure cap



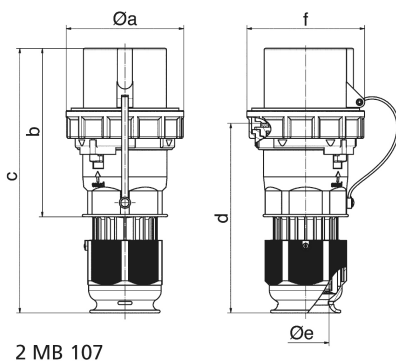
Product description	
BALS-Prd.-Nr	21433
EAN	4024941214339
Product category	TN plug
Current	125A
Number of poles	5p
Arrangement of phases	3p+N+PE
Position of earth contact	2 h
Voltage	> 50V~
Frequency	> 300 - 500Hz

Product description	
VG-type-no.:	VG 96919 CP 016
Protection degree	IP67
Colour code	green RAL 6002
Colour of appliance	Cable gland bronze-green RAL 6031-F9, Bayonet ring bronze-green RAL 6031-F9, Collar bronze-green RAL 6031-F9, Housing cover bronze-green RAL 6031-F9, Pusher black RAL 9005
Connection design	screw terminal as box terminal
Maximum conductor size	50.0 qmm
Cable entry	with cable gland
Height	282mm
Width	126mm
Depth	126mm
Material of enclosure	Polyamide
Contacts	The contact carrier is made of high temperature resistant material, the contacts are brass nickel plated

Additional technical properties	
	For cable diameter from 26 up to max. 50 mm, Screwless housing connection, Multi-Grip cable gland with gasket, integrated cable clamp and additional water evacuation openings
	With closure cap

Logistics data	
Weight/pcs	1.33 kg / Piece

Logistics data	
Packaging	Bag
Content amount	1 ST
EAN	4024941214339
Length	126 mm
Width	126 mm
Height	282 mm
Weight	1.331 kg
Volume	4,477.032 ccm
Packaging	Carton
Content amount	5 ST
EAN	4024941839242
Length	345 mm
Width	345 mm
Height	217 mm
Weight	6.985 kg
Volume	24,276 ccm



Ampere	63	63	63	125	125	125
Polzahl	3	4	5	3	4	5
a ø	113,5	113,5	113,5	126,0	126,0	126,0
b	169,0	169,0	169,0	185,0	185,0	185,0
c	250,0	250,0	250,0	286,0	286,0	286,0
d	177,0	177,0	177,0	206,0	206,0	206,0
e ø	36,0	36,0	36,0	50,0	50,0	50,0
f	112,5	112,5	112,5	125,0	125,0	125,0
Leiter mm² min	6,0	6,0	6,0	16,0	16,0	16,0
Leiter mm² max	25,0	25,0	25,0	50,0	50,0	50,0

