

connector - with TE screw terminals, for harsh applications



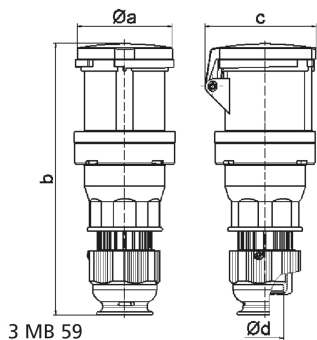
| Product description | |
|---------------------------|---------------------|
| BALS-Prd.-Nr | 31462 |
| EAN | 4024941314626 |
| Product category | connector |
| Current | 63A |
| Number of poles | 5p |
| Arrangement of phases | 3p+N+PE |
| Position of earth contact | 6 h |
| Voltage | 200/346 - 240/415V~ |

| Product description | |
|------------------------|---|
| Frequency | 50/60Hz |
| Protection degree | IP67 |
| Colour code | red RAL 3000 |
| Colour of appliance | Hinged lid red RAL 3000, Housing cover red RAL 3000, Cable gland grey RAL 7035, Collar red RAL 3000, Bayonet ring grey RAL 7035 |
| Connection design | screw terminal as box terminal with Kontex-contact |
| Maximum conductor size | 16,0 qmm |
| Cable entry | with cable gland |
| Height | 251mm |
| Width | 110mm |
| Depth | 115mm |
| Material of enclosure | Polyamide |
| Contacts | The contact carrier is made of high temperature resistant material, the contacts are brass nickel plated |

| Additional technical properties | |
|---------------------------------|--|
| | For cable diameter from 16 up to max. 36 mm, Multi-Grip cable gland with gasket, integrated cable clamp and additional water evacuation openings |

| Logistics data | |
|----------------|-----------------|
| Weight/pcs | 0.76 kg / Piece |
| Packaging | Bag |
| Content amount | 1 ST |

| Logistics data | |
|----------------|---------------|
| EAN | 4024941314626 |
| Length | 115 mm |
| Width | 110 mm |
| Height | 251 mm |
| Weight | 0.761 kg |
| Volume | 3,175.15 ccm |
| Packaging | Carton |
| Content amount | 5 ST |
| EAN | 4024941823661 |
| Length | 325 mm |
| Width | 217 mm |
| Height | 210 mm |
| Weight | 4.006 kg |
| Volume | 13,588.4 ccm |



| | | | | | | | | |
|----------------------------|-------|-------|-------|--|--|--|--|--|
| Ampere | 63 | 63 | 63 | | | | | |
| Polzahl | 3 | 4 | 5 | | | | | |
| a ø | 95,0 | 95,0 | 95,0 | | | | | |
| b | 263,0 | 263,0 | 263,0 | | | | | |
| c | 109,0 | 109,0 | 109,0 | | | | | |
| d ø | 36,0 | 36,0 | 36,0 | | | | | |
| Leiter mm ² min | 6 | 6 | 6 | | | | | |
| Leiter mm ² max | 16 | 16 | 16 | | | | | |
| | | | | | | | | |
| | | | | | | | | |
| | | | | | | | | |
| | | | | | | | | |
| | | | | | | | | |
| | | | | | | | | |