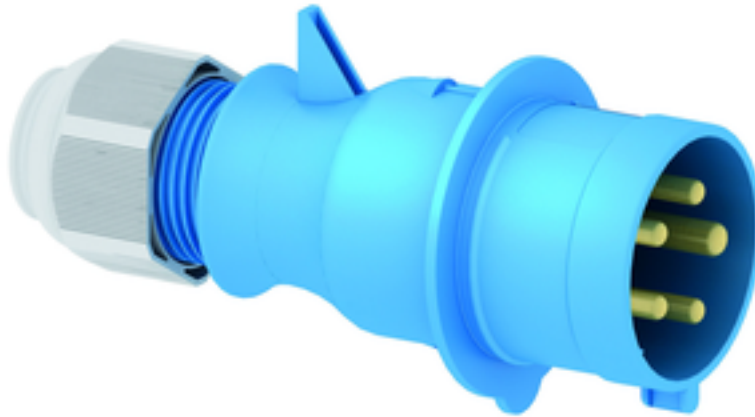


## plug - with screw terminals one piece housing



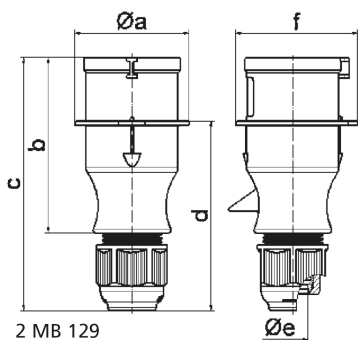
Product description	
BALS-Prd.-Nr	21022-TLS
EAN	4024941199254
Product category	TLS plug with Multi-Grip cable gland
Current	32A
Number of poles	5p
Arrangement of phases	3p+N+PE
Position of earth contact	9 h
Voltage	120/208 - 144/250V~
Frequency	50/60Hz

Product description	
Protection degree	IP44
Colour code	blue RAL 5015
Colour of appliance	Cable gland grey RAL 7035, Enclosure blue RAL 5015
Connection design	with screw terminal
Maximum conductor size	6,0 qmm
Cable entry	with cable gland
Height	175mm
Width	80mm
Depth	89mm
Material of enclosure	Polyamide
Contacts	The contacts are brass, The contact carrier is made of polyamide

Additional technical properties	
	Multi-Grip cable gland with gasket and integrated strain relief, one piece housing, For cable diameter from 11 up to max. 23,5 mm

Logistics data	
Weight/pcs	0.247 kg / Piece
Packaging	Bag
Content amount	1 ST
EAN	4024941199254

Logistics data	
Length	89 mm
Width	80 mm
Height	175 mm
Weight	0.248 kg
Volume	1,246 ccm
Packaging	Carton
Content amount	10 ST
EAN	4024941940344
Length	258 mm
Width	183 mm
Height	212 mm
Weight	2.622 kg
Volume	8,750 ccm



Ampere	16	16	16	32	32	32
Polzahl	3	4	5	3	4	5
a ø	54,0	60,0	66,0	71,0	71,0	80,0
b	94,5	98,0	101,0	115,0	115,0	119,0
c	138,0	142,0	145,0	170,0	170,0	174,0
d	101,5	105,5	108,5	124,0	124,0	128,0
e ø	18,0	18,0	18,0	23,0	23,0	23,0
f	56,6	64,0	71,0	76,0	76,0	85,0
Leiter mm <sup>2</sup> min	1	1	1	2,5	2,5	2,5
Leiter mm <sup>2</sup> max	2,5	2,5	2,5	6	6	6