

wall mounting socket outlet, fused - housing dimension 225x118, with mounting rail



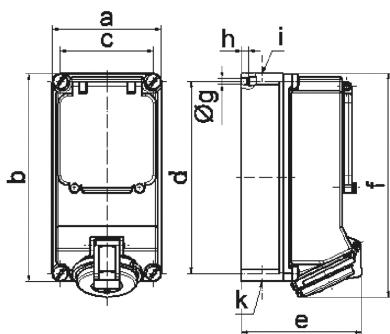
Product description	
BALS-Prd.-Nr	1585
EAN	4024941015851
Product category	QUICK-CONNECT TE wall mounting socket outlet, fused
Current	32A
Number of poles	5p
Arrangement of phases	3p+N+PE
Position of earth contact	6 h
Voltage	200/346 - 240/415V~

Product description	
Frequency	50/60Hz
Protection degree	IP44
Colour code	red RAL 3000
Colour of appliance	Hinged lid red RAL 3000, Housing bottom grey RAL 7035, Housing screws grey RAL 7035, Housing top grey RAL 7035, Operating window smoky topaz
Connection design	screwless spring terminals with Kontex-Kontakt
Maximum conductor size	10,0 qmm
Cable entry	top entry M25/M25 bottom entry M25
Height	251mm
Width	118mm
Depth	141mm
Dimension of enclosure	225x118 mm (HxW)
Material of enclosure	Polycarbonate
Contacts	the contacts are brass nickel plated, The contact carrier is made of polyamide

Additional technical properties	
	The cable entry is one at top open, one at top is closed, and two at bottom are closed
	With mounting rail, With mounting rail for 5 modules, vertical, Protective cover for fuses with stamping

Logistics data	
Weight/pcs	0.87 kg / Piece

Logistics data	
Packaging	Carton
Content amount	1 ST
EAN	4024941015851
Length	275 mm
Width	175 mm
Height	137 mm
Weight	0.995 kg
Volume	5,737.5 ccm



Ampere	16	16	32	32	32
Polzahl	4	5	3	4	5
a	118,0	118,0	118,0	118,0	118,0
b	225,0	225,0	225,0	225,0	225,0
c	101,0	101,0	101,0	101,0	101,0
d	208,0	208,0	208,0	208,0	208,0
e	123,0	130,0	134,0	134,0	141,0
f	242,0	242,0	250,0	250,0	250,0
g	6,5	6,5	6,5	6,5	6,5
h ø	8,0	8,0	8,0	8,0	8,0
i	2 x M25	2 x M25	2 x M25	2 x M25	2 x M25
k	2 x M25	2 x M25	2 x M25	2 x M25	2 x M25

14 MB 13