

## panel mounting socket outlet, straight - flange 75x75, System E Belgian/French standard

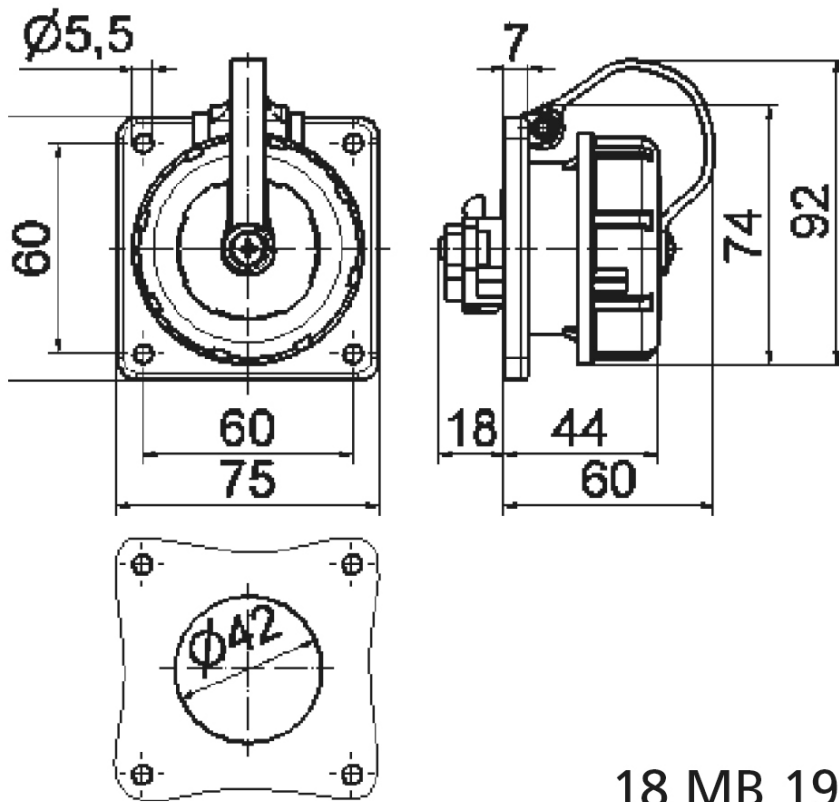


Product description	
BALS-Prd.-Nr	7153
EAN	4024941071536
Product category	Domestic panel mounting socket, System E Belgian/French standard
Current	16A
Number of poles	3p
Arrangement of phases	2P+PE
Voltage	250V~
Frequency	AC

Product description	
Protection degree	IP68
Colour code	blue RAL 5015
Colour of appliance	Enclosure blue RAL 5015
Connection design	head-screw terminal
Maximum conductor size	4,0 qmm
Cable entry	other
Height	75mm
Width	75mm
Depth	78mm
Flange size vertical in mm	75mm
Flange size horizontal in mm	75mm
Drill hole dist. vertical mm	60mm
Drill hole dist. horizontal mm	60mm
Material of enclosure	plastic
Contacts	The contact carrier is made of high temperature resistant material, the contacts are brass nickel plated

Additional technical properties	
	The connection is rear, With earth contact Belgian/French standard
	With hammer symbol
	With bayonet cover on strap

Logistics data	
Weight/pcs	0.136 kg / Piece
Packaging	Bag
Content amount	1 ST
EAN	4024941071536
Length	78 mm
Width	75 mm
Height	75 mm
Weight	0.137 kg
Volume	438.75 ccm
Packaging	Carton
Content amount	10 ST
EAN	4024941835664
Length	275 mm
Width	175 mm
Height	137 mm
Weight	1.485 kg
Volume	5,737.5 ccm



18 MB 19