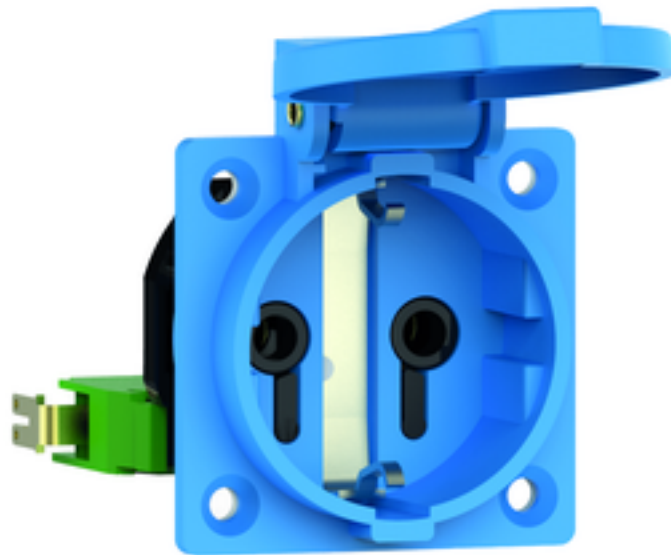


panel mounting socket outlet, straight - flange 50x50, with auxiliary contact normally open

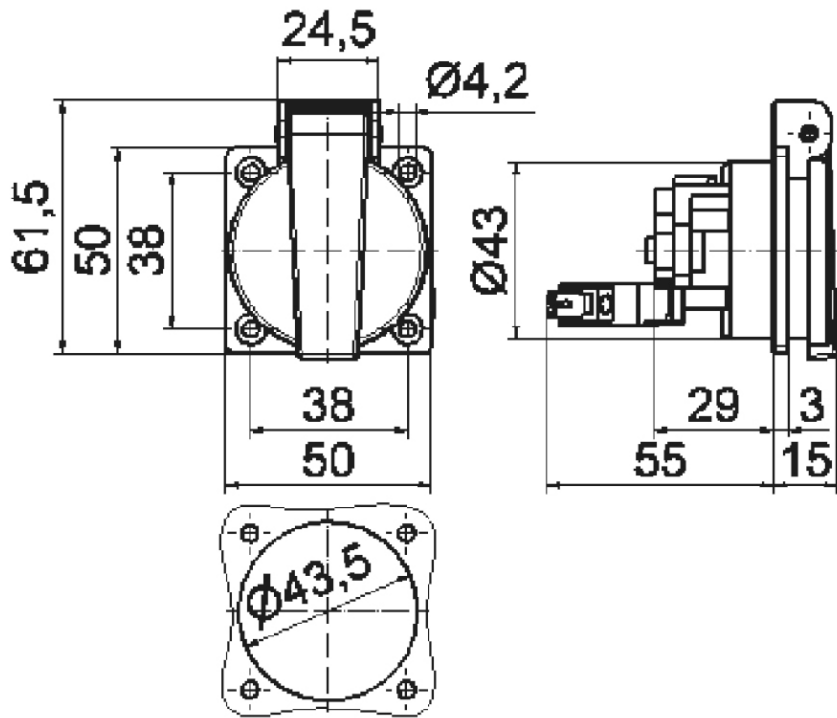


| Product description | |
|-----------------------|---|
| BALS-Prd.-Nr | 7154 |
| EAN | 4024941071543 |
| Product category | Domestic panel mounting socket outlet, straight, System F German standard |
| Current | 16A |
| Number of poles | 3p |
| Arrangement of phases | 2P+PE |
| Voltage | 250V~ |
| Frequency | AC |

| Product description | |
|--------------------------------|--|
| Protection degree | IP54 |
| Colour code | blue RAL 5015 |
| Colour of appliance | Hinged lid blue RAL 5015, Enclosure blue RAL 5015 |
| Connection design | head-screw terminal |
| Maximum conductor size | 4,0 qmm |
| Cable entry | other |
| Height | 61.5mm |
| Width | 54.5mm |
| Depth | 70mm |
| Flange size vertical in mm | 50mm |
| Flange size horizontal in mm | 50mm |
| Drill hole dist. vertical mm | 38mm |
| Drill hole dist. horizontal mm | 38mm |
| Material of enclosure | plastic |
| Contacts | The contact carrier is made of high temperature resistant material, the contacts are brass nickel plated |

| Additional technical properties | |
|---------------------------------|--------------------------------|
| | The connection is rear |
| | With N.O.contact normally open |
| | With hinged lid |

| Logistics data | |
|----------------|-----------------|
| Weight/pcs | 0.04 kg / Piece |
| Packaging | Bag |
| Content amount | 1 ST |
| EAN | 4024941071543 |
| Length | 70 mm |
| Width | 54.5 mm |
| Height | 61.5 mm |
| Weight | 0.041 kg |
| Volume | 234.623 ccm |
| Packaging | Carton |
| Content amount | 20 ST |
| EAN | 4024941835688 |
| Length | 275 mm |
| Width | 175 mm |
| Height | 137 mm |
| Weight | 0.925 kg |
| Volume | 5,737.5 ccm |



18 MB 36