

wall mounting socket outlet, fused - housing dimensions 260x160 with mounting rail



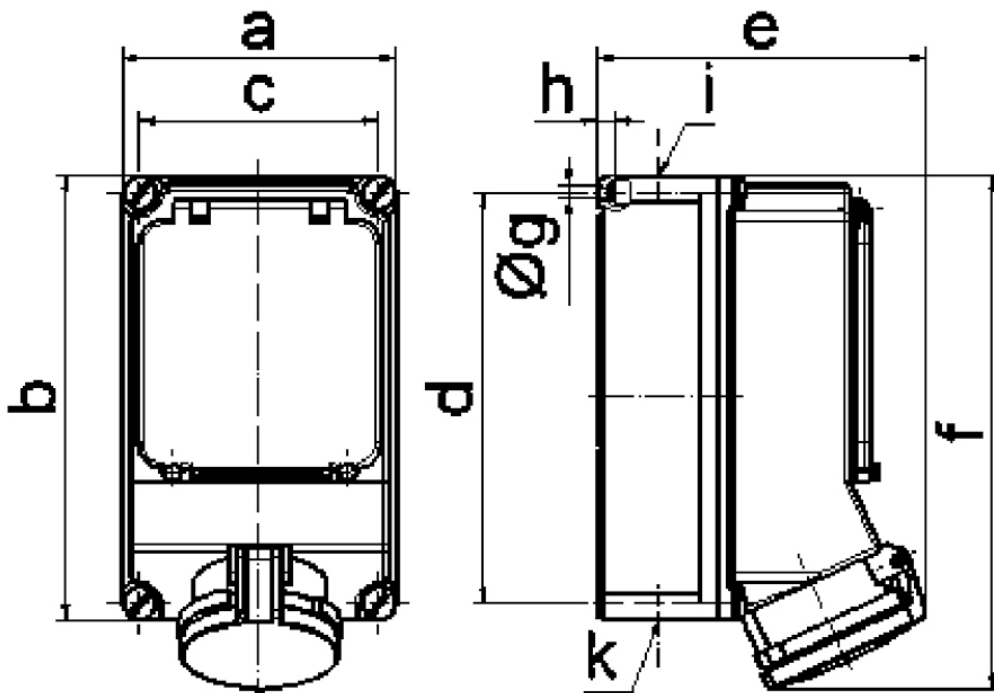
| Product description | |
|---------------------------|------------------------------------|
| BALS-Prd.-Nr | 15036 |
| EAN | 4024941150361 |
| Product category | Wall mounting socket outlet, fused |
| Current | 63A |
| Number of poles | 5p |
| Arrangement of phases | 3p+N+PE |
| Position of earth contact | 6 h |
| Voltage | 200/346 - 240/415V~ |

| Product description | |
|------------------------|--|
| Frequency | 50/60Hz |
| Protection degree | IP44 |
| Colour code | red RAL 3000 |
| Colour of appliance | Hinged lid red RAL 3000, Housing bottom grey RAL 7035, Housing top grey RAL 7035, Operating window smoky topaz, Housing screws grey RAL 7035 |
| Connection design | screw terminal as box terminal with Kontex-contact |
| Maximum conductor size | 25.0 qmm |
| Cable entry | top entry M40 bottom entry M40/M32 |
| Height | 303mm |
| Width | 160mm |
| Depth | 185mm |
| Dimension of enclosure | 260x160 mm (HxW) |
| Material of enclosure | Polycarbonate |
| Contacts | the contacts are brass nickel plated, The contact carrier is made of polyamide |

| Additional technical properties | |
|---------------------------------|--|
| | The cable entry is one at top and two at bottom open |
| | With mounting rail, Protective cover for fuses with stamping, With mounting rail for 7 modules, vertical |

| Logistics data | |
|----------------|------------------|
| Weight/pcs | 1.895 kg / Piece |

| Logistics data | |
|----------------|---------------|
| Packaging | Carton |
| Content amount | 1 ST |
| EAN | 4024941150361 |
| Length | 325 mm |
| Width | 217 mm |
| Height | 210 mm |
| Weight | 2.111 kg |
| Volume | 13,588.4 ccm |



14 MB 14