

TN plug - with cable gland, with closure cap

Abbildung ähnlich - similar picture



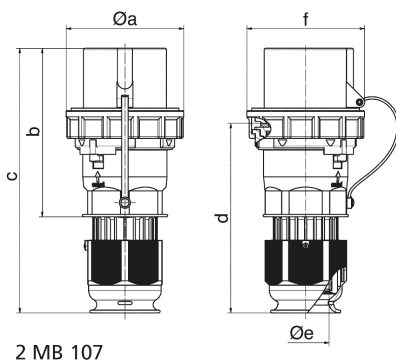
| Product description | |
|---------------------------|---------------|
| BALS-Prd.-Nr | 21430 |
| EAN | 4024941214308 |
| Product category | TN plug |
| Current | 63A |
| Number of poles | 5p |
| Arrangement of phases | 3p+N+PE |
| Position of earth contact | 2 h |
| Voltage | > 50V~ |
| Frequency | > 300 - 500Hz |

| Product description | |
|------------------------|---|
| VG-type-no.: | VG 96919 CP 012 |
| Protection degree | IP67 |
| Colour code | green RAL 6002 |
| Colour of appliance | Cable gland bronze-green RAL 6031-F9, Bayonet ring bronze-green RAL 6031-F9, Collar bronze-green RAL 6031-F9, Housing cover bronze-green RAL 6031-F9, Pusher black RAL 9005 |
| Connection design | screw terminal as box terminal |
| Maximum conductor size | 16,0 qmm |
| Cable entry | with cable gland |
| Height | 244mm |
| Width | 113.5mm |
| Depth | 115mm |
| Material of enclosure | Polyamide |
| Contacts | The contact carrier is made of high temperature resistant material, the contacts are brass nickel plated |

| Additional technical properties | |
|---------------------------------|--|
| | Screwless housing connection, For cable diameter from 16 up to max. 36 mm, Multi-Grip cable gland with gasket, integrated cable clamp and additional water evacuation openings |
| | With closure cap |

| Logistics data | |
|----------------|------------------|
| Weight/pcs | 0.805 kg / Piece |

| Logistics data | |
|----------------|---------------|
| Packaging | Bag |
| Content amount | 1 ST |
| EAN | 4024941214308 |
| Length | 115 mm |
| Width | 113.5 mm |
| Height | 244 mm |
| Weight | 0.806 kg |
| Volume | 3,184.81 ccm |
| Packaging | Carton |
| Content amount | 5 ST |
| EAN | 4024941839211 |
| Length | 325 mm |
| Width | 217 mm |
| Height | 210 mm |
| Weight | 4.231 kg |
| Volume | 13,588.4 ccm |



| Ampere Polzahl | 63 3 | 63 4 | 63 5 | 125 3 | 125 4 | 125 5 |
|----------------|---------|---------|---------|----------|----------|----------|
| a ø | 113,5 | 113,5 | 113,5 | 126,0 | 126,0 | 126,0 |
| b | 169,0 | 169,0 | 169,0 | 185,0 | 185,0 | 185,0 |
| c | 250,0 | 250,0 | 250,0 | 286,0 | 286,0 | 286,0 |
| d | 177,0 | 177,0 | 177,0 | 206,0 | 206,0 | 206,0 |
| e ø | 36,0 | 36,0 | 36,0 | 50,0 | 50,0 | 50,0 |
| f | 112,5 | 112,5 | 112,5 | 125,0 | 125,0 | 125,0 |
| Leiter mm² min | 6,0 | 6,0 | 6,0 | 16,0 | 16,0 | 16,0 |
| Leiter mm² max | 25,0 | 25,0 | 25,0 | 50,0 | 50,0 | 50,0 |
| | | | | | | |
| | | | | | | |
| | | | | | | |