

wall mounting appliance inlet - housing dimensions 170x118



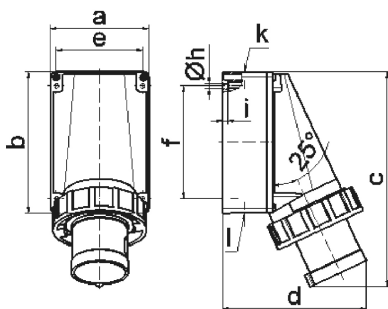
Product description	
BALS-Prd.-Nr	24342
EAN	4024941243421
Product category	Wall mounting appliance inlet
Current	63A
Number of poles	4p
Arrangement of phases	3P+PE
Position of earth contact	7 h
Voltage	480 - 500V~

Product description	
Frequency	50/60Hz
Protection degree	IP67
Colour code	black RAL 9005
Colour of appliance	Housing bottom grey RAL 7035, Housing top grey RAL 7035, Bayonet ring grey RAL 7035, Collar black RAL 9005
Connection design	with screw terminal
Maximum conductor size	16,0 qmm
Cable entry	top entry M40 bottom entry M32
Height	259mm
Width	118mm
Depth	174mm
Dimension of enclosure	170x118 mm (HxW)
Material of enclosure	Polycarbonate
Contacts	the contacts are brass nickel plated, The contact carrier is made of polyamide

Additional technical properties	
	The cable entry is one at top open and two at bottom closed
	Lower part of housing rotatable by 180°

Logistics data	
Weight/pcs	0.995 kg / Piece

Logistics data	
Packaging	Bag
Content amount	1 ST
EAN	4024941243421
Length	174 mm
Width	118 mm
Height	259 mm
Weight	0.996 kg
Volume	5,317.788 ccm
Packaging	Carton
Content amount	5 ST
EAN	4024941964814
Length	445 mm
Width	335 mm
Height	210 mm
Weight	5.351 kg
Volume	29,040 ccm



Ampere Polzahl	63 3	63 4	63 5			
a	118,0	118,0	118,0			
b	170,0	170,0	170,0			
c	259,0	259,0	259,0			
d	174,0	174,0	174,0			
e	104,0	104,0	104,0			
f	136,0	136,0	136,0			
h ø	6,1	6,1	6,1			
i	6,0	6,0	6,0			
k	M40	M40	M40			
l	M32/32	M32/32	M32/32			
Leiter mm² min	6	6	6			
Leiter mm² max	16	16	16			