

## connector - with TE screw terminals, for harsh applications



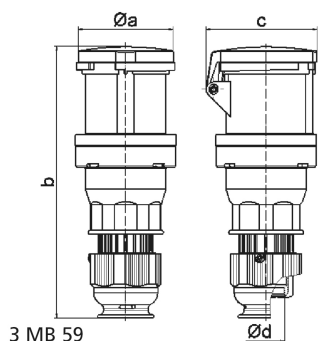
Product description	
BALS-Prd.-Nr	31462
EAN	4024941314626
Product category	connector
Current	63A
Number of poles	5p
Arrangement of phases	3p+N+PE
Position of earth contact	6 h
Voltage	200/346 - 240/415V~

Product description	
Frequency	50/60Hz
Protection degree	IP67
Colour code	red RAL 3000
Colour of appliance	Hinged lid red RAL 3000, Housing cover red RAL 3000, Cable gland grey RAL 7035, Collar red RAL 3000, Bayonet ring grey RAL 7035
Connection design	screw terminal as box terminal with Kontex-contact
Maximum conductor size	16,0 qmm
Cable entry	with cable gland
Height	251mm
Width	110mm
Depth	115mm
Material of enclosure	Polyamide
Contacts	The contact carrier is made of high temperature resistant material, the contacts are brass nickel plated

Additional technical properties	
	For cable diameter from 16 up to max. 36 mm, Multi-Grip cable gland with gasket, integrated cable clamp and additional water evacuation openings

Logistics data	
Weight/pcs	0.76 kg / Piece
Packaging	Bag
Content amount	1 ST

Logistics data	
EAN	4024941314626
Length	115 mm
Width	110 mm
Height	251 mm
Weight	0.761 kg
Volume	3,175.15 ccm
Packaging	Carton
Content amount	5 ST
EAN	4024941823661
Length	325 mm
Width	217 mm
Height	210 mm
Weight	4.006 kg
Volume	13,588.4 ccm



Ampere	63	63	63					
Polzahl	3	4	5					
a ø	95,0	95,0	95,0					
b	263,0	263,0	263,0					
c	109,0	109,0	109,0					
d ø	36,0	36,0	36,0					
Leiter mm <sup>2</sup> min	6	6	6					
Leiter mm <sup>2</sup> max	16	16	16					