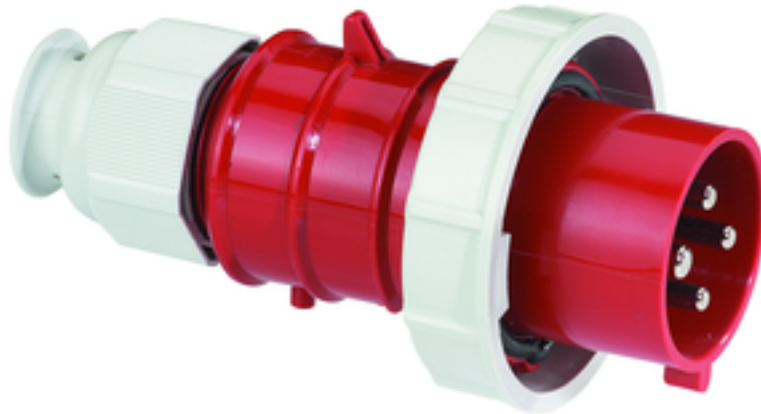


## plug - for refer containers, with cable gland



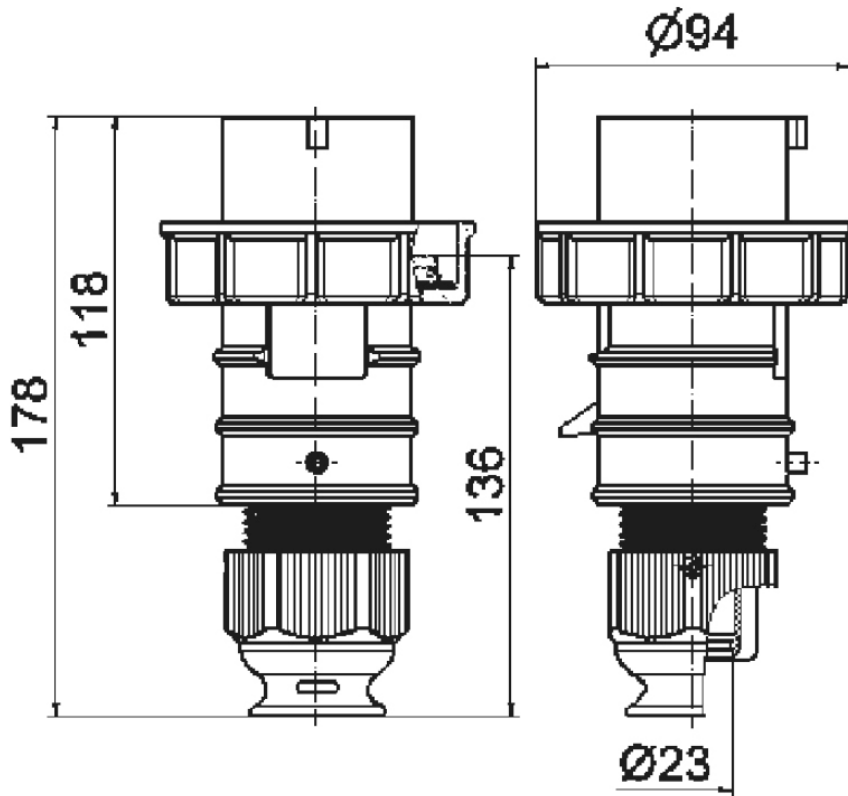
Product description	
BALS-Prd.-Nr	2148509
EAN	4024941059220
Product category	QUICK-CONNECT TE plug
Current	32A
Number of poles	4p
Arrangement of phases	3P+PE
Position of earth contact	3 h
Voltage	380V~(50Hz) 440V~(60Hz)
Frequency	50/60Hz

Product description	
Protection degree	IP67
Colour code	red RAL 3000
Colour of appliance	Cable gland grey RAL 7035, Collar red RAL 3000, Housing cover red RAL 3000, Bayonet ring grey RAL 7035
Connection design	screwless spring-clamp technology
Maximum conductor size	6,0 qmm
Cable entry	with cable gland
Height	180mm
Width	94mm
Depth	94mm
Material of enclosure	Polyamide
Contacts	The contact carrier is made of high temperature resistant material, the contacts are brass nickel plated

Additional technical properties	
	Multi-Grip cable gland with gasket, integrated cable clamp and additional water evacuation openings, For cable diameter from 11 up to max. 23,5 mm

Logistics data	
Weight/pcs	0.291 kg / Piece
Packaging	Bag
Content amount	1 ST
EAN	4024941059220

Logistics data	
Length	94 mm
Width	94 mm
Height	180 mm
Weight	0.292 kg
Volume	1,590.48 ccm
Packaging	Carton
Content amount	10 ST
EAN	4024941848947
Length	325 mm
Width	217 mm
Height	210 mm
Weight	3.116 kg
Volume	13,588.4 ccm



2 MB 111