

plug - INNOLINQ lead-free, with QUICK-CONNECT and MULTI-GRIP



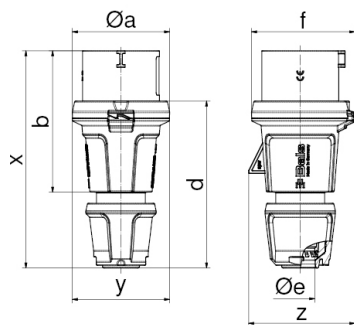
Product description	
BALS-Prd.-Nr	211
EAN	4024941345774
Product category	Plug INNOLINQ QC
Current	16A
Number of poles	3p
Arrangement of phases	2P+PE
Position of earth contact	6 h
Voltage	200 - 250V~

Product description	
Frequency	50/60Hz
Protection degree	IP54
Colour code	blue RAL 5015
Colour of appliance	Collar blue RAL 5015, Housing cover dark grey RAL 7012, Cable gland dark grey RAL 7012
Connection design	screwless spring terminals with KONTEX-ULTRA contact
Maximum conductor size	2,5 qmm
Cable entry	with cable gland
Height	145mm
Width	59mm
Depth	64mm
Material of enclosure	Polyamide
Contacts	The contacts are brass, The contact carrier is made of high temperature resistant material

Additional technical properties	
	This product is without any lead
	MULTI-GRIP cable gland with gasket and integrated strain relief, For cable diameter from 8 up to max. 18 mm, The enclosure components are connected without screws and are secured by a snap-lock mechanism. Opening is only possible with a screwdriver.

Logistics data	
Weight/pcs	0.104 kg / Piece

Logistics data	
Packaging	Carton
Content amount	10 ST
EAN	4024941345781
Length	275 mm
Width	175 mm
Height	137 mm
Weight	1.165 kg
Volume	5,737.5 ccm



Ampere	16	16	32	32	32
Polzahl	3	5	3	4	5
$\varnothing a$	59,0	71,0	80,0	80,0	80,0
b	94,0	103,0	124,0	124,0	124,0
d	109,0	123,0	145,0	145,0	145,0
$\varnothing e$	18,0	21,0	29,0	29,0	29,0
f	63,0	76,0	85,0	85,0	85,0
x	145,0	160,0	191,0	191,0	191,0
y	59,0	71,0	80,0	80,0	80,0
z	64,0	78,0	85,0	85,0	89,0
Cond. mm ² min	1	1	2,5	2,5	2,5
Cond. mm ² max	2,5	2,5	6,0	6,0	6,0

