

## wall mounting appliance inlet - with hinged cover



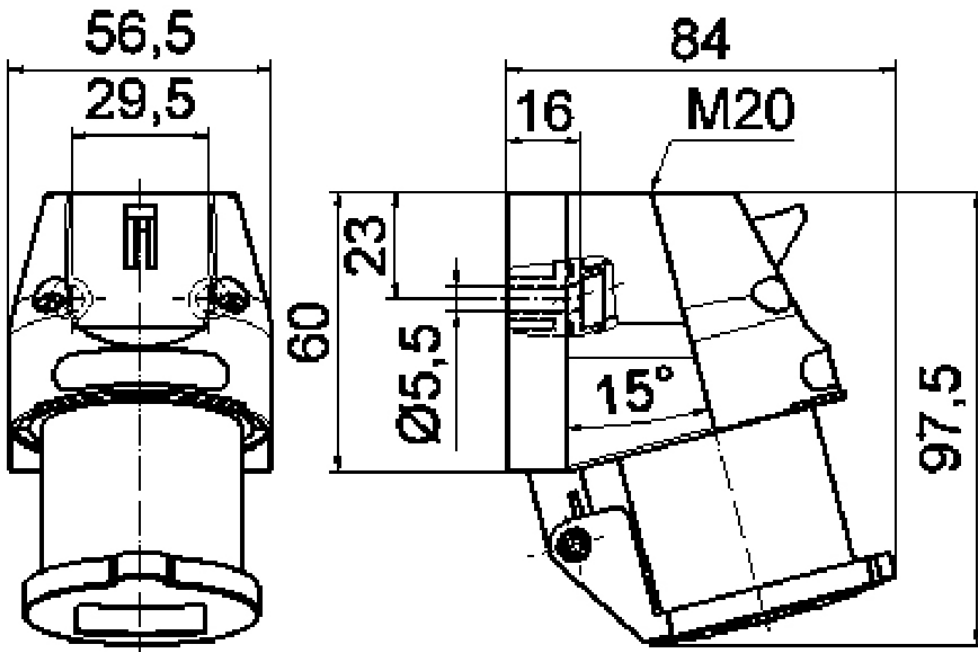
Product description	
BALS-Prd.-Nr	242
EAN	4024941002424
Product category	Wall mounting appliance inlet
Current	16A
Number of poles	3p
Arrangement of phases	2P+PE
Position of earth contact	6 h
Voltage	200 - 250V~
Frequency	50/60Hz

Product description	
Protection degree	IP44
Colour code	blue RAL 5015
Colour of appliance	Hinged lid grey RAL 7035, Flange blue RAL 5015, Housing top blue RAL 5015, Housing bottom blue RAL 5015, Collar blue RAL 5015
Connection design	with screw terminal
Maximum conductor size	2,5 qmm
Cable entry	top entry M20
Height	98mm
Width	57mm
Depth	84mm
Dimension of enclosure	60x56.5 mm (HxW)
Material of enclosure	Polyamide
Contacts	The contacts are brass, The contact carrier is made of polyamide

Additional technical properties	
	The cable entry is one at top open and one rear sided closed
	With hinged lid

Logistics data	
Weight/pcs	0.148 kg / Piece
Packaging	Bag

Logistics data	
Content amount	1 ST
EAN	4024941002424
Length	84 mm
Width	57 mm
Height	98 mm
Weight	0.149 kg
Volume	469.224 ccm
Packaging	Carton
Content amount	10 ST
EAN	4024941941075
Length	275 mm
Width	175 mm
Height	137 mm
Weight	1.605 kg
Volume	5,737.5 ccm



## 5 MB 161