

## plug domestic type - with cable gland, with closure cap



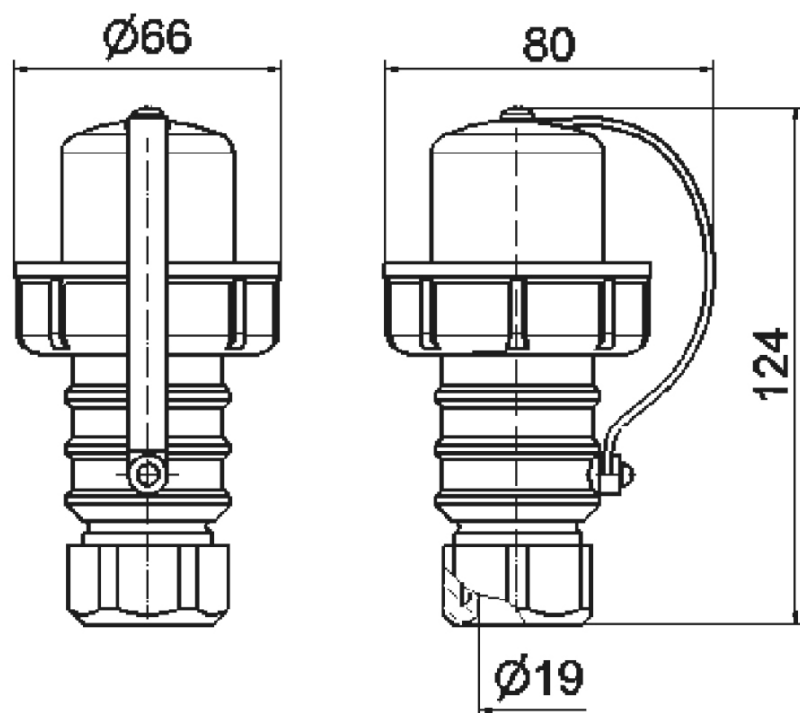
Product description	
BALS-Prd.-Nr	736
EAN	4024941007368
Product category	Domestic plug
Current	16A
Number of poles	3p
Arrangement of phases	2P+PE
Voltage	250V~
Frequency	AC
Protection degree	IP67

Product description	
Colour code	blue RAL 5015
Colour of appliance	Housing cover blue RAL 5015
Connection design	with screw terminal
Maximum conductor size	2,5 qmm
Cable entry	with cable gland
Height	124mm
Width	80mm
Depth	66mm
Material of enclosure	plastic
Contacts	the contacts are brass nickel plated, The contact carrier is made of polyamide

Additional technical properties	
	also suitable for Belgian/French standard
	With hammer symbol, With cable gland, For cable diameter up to max. 14,0 mm
	With closure cap

Logistics data	
Weight/pcs	0.164 kg / Piece
Packaging	Bag
Content amount	1 ST
EAN	4024941007368

Logistics data	
Length	66 mm
Width	80 mm
Height	124 mm
Weight	0.165 kg
Volume	654.72 ccm
Packaging	Carton
Content amount	10 ST
EAN	4024941959162
Length	275 mm
Width	175 mm
Height	137 mm
Weight	1.765 kg
Volume	5,737.5 ccm

**18 MB 18**