

panel mounting appliance inlet - flange 75x75, with closure cap

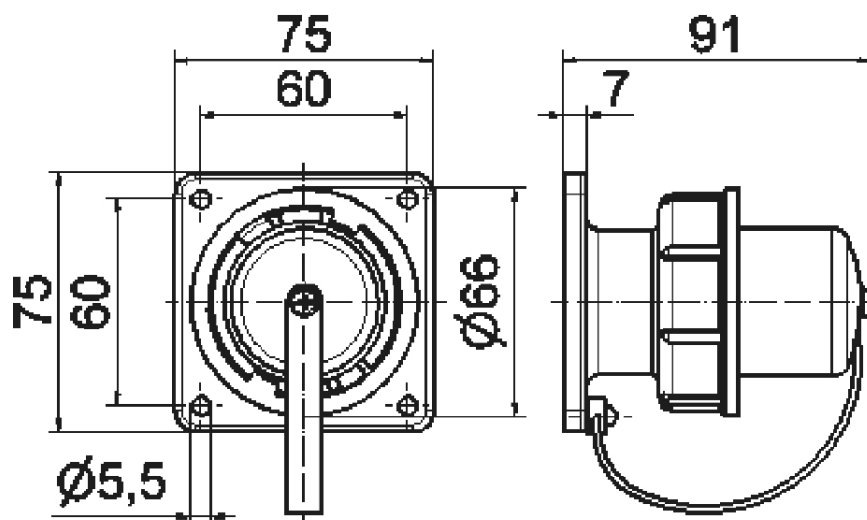


| Product description | |
|-----------------------|--|
| BALS-Prd.-Nr | 754 |
| EAN | 4024941007542 |
| Product category | domestic-type panel mounting appliance inlet, straight |
| Current | 16A |
| Number of poles | 3p |
| Arrangement of phases | 2P+PE |
| Voltage | 250V~ |
| Frequency | AC |

| Product description | |
|--------------------------------|--|
| Protection degree | IP67 |
| Colour code | blue RAL 5015 |
| Colour of appliance | Enclosure blue RAL 5015 |
| Connection design | with screw terminal |
| Maximum conductor size | 4,0 qmm |
| Cable entry | other |
| Height | 75mm |
| Width | 75mm |
| Depth | 91mm |
| Flange size vertical in mm | 75mm |
| Flange size horizontal in mm | 75mm |
| Drill hole dist. vertical mm | 60mm |
| Drill hole dist. horizontal mm | 60mm |
| Material of enclosure | plastic |
| Contacts | The contact carrier is made of high temperature resistant material, the contacts are brass nickel plated |

| Additional technical properties | |
|---------------------------------|---|
| | also suitable for Belgian/French standard |
| | With hammer symbol |
| | With closure cap |

| Logistics data | |
|----------------|------------------|
| Weight/pcs | 0.166 kg / Piece |
| Packaging | Bag |
| Content amount | 1 ST |
| EAN | 4024941007542 |
| Length | 91 mm |
| Width | 75 mm |
| Height | 75 mm |
| Weight | 0.167 kg |
| Volume | 511.875 ccm |
| Packaging | Carton |
| Content amount | 10 ST |
| EAN | 4024941835794 |
| Length | 245 mm |
| Width | 177 mm |
| Height | 185 mm |
| Weight | 1.793 kg |
| Volume | 7,140 ccm |



18 MB 16