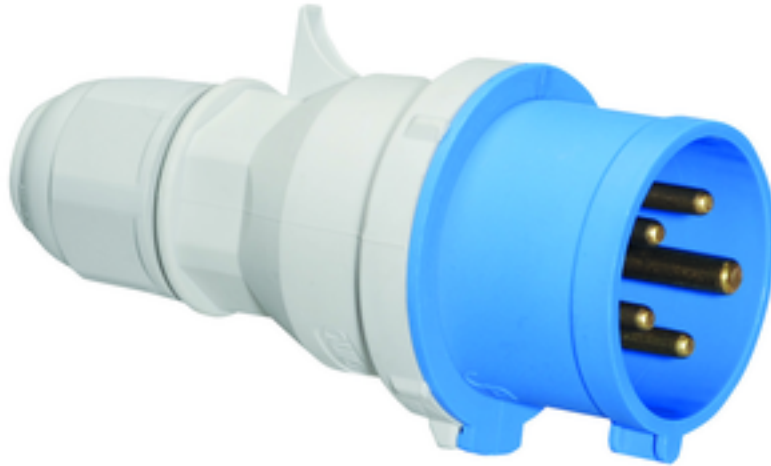


## plug - with screwless terminals



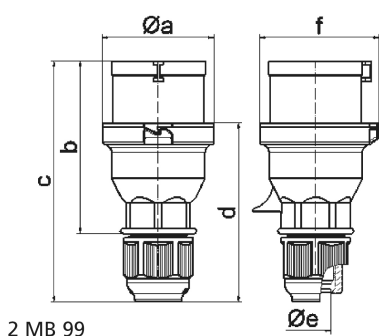
Product description	
BALS-Prd.-Nr	2135
EAN	4024941021357
Product category	QUICK-CONNECT plug
Current	16A
Number of poles	5p
Arrangement of phases	3p+N+PE
Position of earth contact	9 h
Voltage	120/208 - 144/250V~
Frequency	50/60Hz

Product description	
Protection degree	IP44
Colour code	blue RAL 5015
Colour of appliance	Collar blue RAL 5015, Housing cover grey RAL 7035, Cable gland grey RAL 7035
Connection design	screwless spring-clamp technology
Maximum conductor size	2,5 qmm
Cable entry	with cable gland
Height	147mm
Width	71mm
Depth	75mm
Material of enclosure	Polyamide
Contacts	The contacts are brass

Additional technical properties	
	Multi-Grip cable gland with gasket and integrated strain relief, Screwless housing connection with snap fastening, For cable diameter from 8 up to max. 18 mm

Logistics data	
Weight/pcs	0.15 kg / Piece
Packaging	Bag
Content amount	1 ST
EAN	4024941021357

Logistics data	
Length	75 mm
Width	71 mm
Height	147 mm
Weight	0.151 kg
Volume	782.775 ccm
Packaging	Carton
Content amount	10 ST
EAN	4024941828697
Length	275 mm
Width	175 mm
Height	137 mm
Weight	1.625 kg
Volume	5,737.5 ccm



Ampere	16	16	16	32	32	32
Polzahl	3	4	5	3	4	5
a ø	53,0	60,0	66,0	74,5	74,5	74,5
b	93,5	100,5	103,0	121,0	121,0	121,5
c	134,0	141,0	142,0	174,0	174,0	174,5
d	97,5	104,5	105,5	128,0	128,0	128,5
e ø	18,0	18,0	18,0	23,0	23,0	23,0
f	57,5	64,5	70,5	78,0	78,0	80,0
Leiter mm <sup>2</sup> min	1	1	1	2,5	2,5	2,5
Leiter mm <sup>2</sup> max	2,5	2,5	2,5	6	6	6