

## plug - with TE screw terminals, for harsh applications



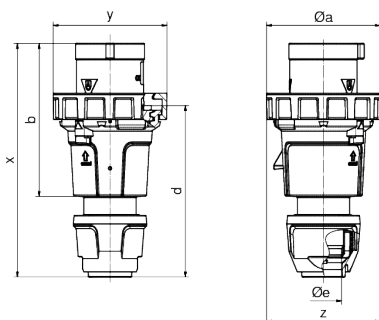
Product description	
BALS-Prd.-Nr	2189
EAN	4024941021890
Product category	TE plug
Current	63A
Number of poles	5p
Arrangement of phases	3p+N+PE
Position of earth contact	6 h
Voltage	200/346 - 240/415V~
Frequency	50/60Hz

Product description	
Protection degree	IP67
Colour code	red RAL 3000
Colour of appliance	Collar red RAL 3000, Pusher black RAL 9005, Housing cover dark grey RAL 7012, Cable gland dark grey RAL 7012, Bajonet ring dark grey RAL 7012
Connection design	screw terminal as box terminal
Maximum conductor size	16,0 qmm
Cable entry	with cable gland
Height	234mm
Width	114mm
Depth	114mm
Material of enclosure	Polyamide
Contacts	The contact carrier is made of high temperature resistant material, the contacts are brass nickel plated

Additional technical properties	
	For cable diameter from 16 up to max. 36 mm, The enclosure components are connected without screws and are secured by a snap slider. Opening is only possible using a screwdriver., MULTI-GRIP cable gland with gasket and integrated strain relief

Logistics data	
Weight/pcs	0.705 kg / Piece
Packaging	Bag
Content amount	1 ST

Logistics data	
EAN	4024941021890
Length	114 mm
Width	114 mm
Height	234 mm
Weight	0.706 kg
Volume	3,041.064 ccm
Packaging	Carton
Content amount	5 ST
EAN	4024941946292
Length	325 mm
Width	217 mm
Height	210 mm
Weight	3.731 kg
Volume	13,588.4 ccm



Ampere Polzahl	63 3	63 4	63 5
ø a	114,0	114,0	114,0
b	153,0	153,0	153,0
d	171,0	171,0	171,0
ø e	36,0	36,0	36,0
x	233,0	233,0	233,0
y	114,0	114,0	114,0
z	114,0	114,0	114,0
Cond. mm <sup>2</sup> min	6,0	6,0	6,0
Cond. mm <sup>2</sup> max	16,0	16,0	16,0



