

plug - with TE screw terminals, for harsh applications



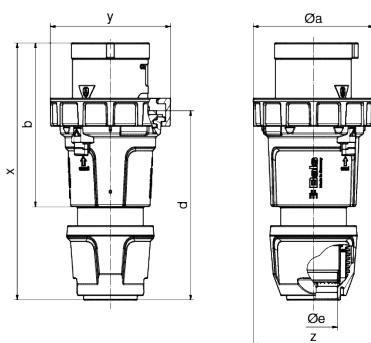
| Product description | |
|---------------------------|---------------|
| BALS-Prd.-Nr | 2191 |
| EAN | 4024941021913 |
| Product category | TE plug |
| Current | 125A |
| Number of poles | 3p |
| Arrangement of phases | 2P+PE |
| Position of earth contact | 6 h |
| Voltage | 200 - 250V~ |
| Frequency | 50/60Hz |

| Product description | |
|------------------------|--|
| Protection degree | IP67 |
| Colour code | blue RAL 5015 |
| Colour of appliance | Collar blue RAL 5015, Pusher black RAL 9005, Housing cover dark grey RAL 7012, Cable gland dark grey RAL 7012, Bajonet ring dark grey RAL 7012 |
| Connection design | screw terminal as box terminal |
| Maximum conductor size | 50.0 qmm |
| Cable entry | with cable gland |
| Height | 273mm |
| Width | 126mm |
| Depth | 126mm |
| Material of enclosure | Polyamide |
| Contacts | The contact carrier is made of high temperature resistant material, the contacts are brass nickel plated |

| Additional technical properties | |
|---------------------------------|---|
| | For cable diameter from 26 up to max. 50 mm, MULTI-GRIP cable gland with gasket and integrated strain relief, The enclosure components are connected without screws and are secured by a snap slider. Opening is only possible using a screwdriver. |

| Logistics data | |
|----------------|-----------------|
| Weight/pcs | 1.02 kg / Piece |
| Packaging | Bag |
| Content amount | 1 ST |

| Logistics data | |
|----------------|---------------|
| EAN | 4024941021913 |
| Length | 126 mm |
| Width | 126 mm |
| Height | 273 mm |
| Weight | 1.021 kg |
| Volume | 4,334.148 ccm |
| Packaging | Carton |
| Content amount | 5 ST |
| EAN | 4024941958783 |
| Length | 345 mm |
| Width | 345 mm |
| Height | 217 mm |
| Weight | 5.435 kg |
| Volume | 24,276 ccm |



| Ampere Polzahl | 125 3 | 125 4 | 125 5 |
|---------------------------|-------|-------|-------|
| ø a | 126,0 | 126,0 | 126,0 |
| b | 171,0 | 171,0 | 171,0 |
| d | 198,0 | 198,0 | 198,0 |
| ø e | 50,0 | 50,0 | 50,0 |
| x | 268,0 | 268,0 | 268,0 |
| y | 126,0 | 126,0 | 126,0 |
| z | 126,0 | 126,0 | 126,0 |
| Cond. mm ² min | 16,0 | 16,0 | 16,0 |
| Cond. mm ² max | 50,0 | 50,0 | 50,0 |
| | | | |
| | | | |



