

phase inverter - with TE screw terminals, for harsh applications



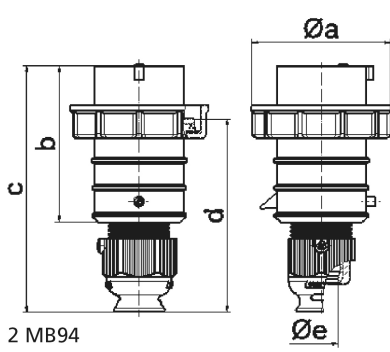
Product description	
BALS-Prd.-Nr	2251
EAN	4024941022514
Product category	TE phase inverter
Current	16A
Number of poles	5p
Arrangement of phases	3p+N+PE
Position of earth contact	6 h
Voltage	200/346 - 240/415V~

Product description	
Frequency	50/60Hz
Protection degree	IP67
Colour code	red RAL 3000
Colour of appliance	Bayonet ring grey RAL 7035, Cable gland grey RAL 7035, Housing cover red RAL 3000, Collar red RAL 3000
Connection design	with screw terminal
Maximum conductor size	2,5 qmm
Cable entry	with cable gland
Height	154mm
Width	87mm
Depth	87mm
Material of enclosure	Polyamide
Contacts	The contact carrier is made of high temperature resistant material, the contacts are brass nickel plated

Additional technical properties	
	Multi-Grip cable gland with gasket, integrated cable clamp and additional water evacuation openings, For cable diameter from 10 up to max. 21 mm

Logistics data	
Weight/pcs	0.228 kg / Piece
Packaging	Bag
Content amount	1 ST

Logistics data	
EAN	4024941022514
Length	87 mm
Width	87 mm
Height	154 mm
Weight	0.229 kg
Volume	1,165.626 ccm
Packaging	Carton
Content amount	10 ST
EAN	4024941968959
Length	258 mm
Width	183 mm
Height	212 mm
Weight	2.432 kg
Volume	8,750 ccm



Ampere Polzahl	16 3	16 4	16 5	32 3	32 4	32 5
a ø	70,0	78,0	86,0	94,0	94,0	101,0
b	95,0	95,0	97,0	118,0	118,0	117,0
c	145,0	145,0	152,0	178,0	178,0	181,0
d	111,0	111,0	119,0	136,0	136,0	138,5
e ø	18,0	18,0	21,0	23,0	23,0	27,0
Leiter mm ² min	1	1	1	2,5	2,5	2,5
Leiter mm ² max	2,5	2,5	2,5	6	6	6

2 MB94