

panel mounting appliance inlet - with hinged cover



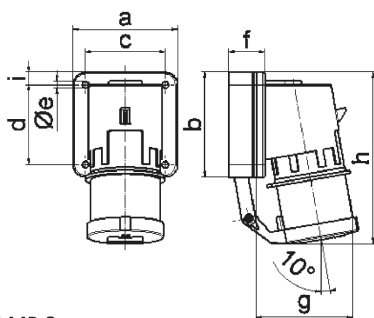
Product description	
BALS-Prd.-Nr	2636
EAN	4024941026369
Product category	Surface mounting appliance inlet
Current	16A
Number of poles	5p
Arrangement of phases	3p+N+PE
Position of earth contact	6 h
Voltage	200/346 - 240/415V~
Frequency	50/60Hz

Product description	
Protection degree	IP44
Colour code	red RAL 3000
Colour of appliance	Enclosure grey RAL 7035, Hinged lid grey RAL 7035, Collar red RAL 3000
Connection design	with screw terminal
Maximum conductor size	2,5 qmm
Cable entry	other
Height	138mm
Width	84mm
Depth	105mm
Flange size vertical in mm	84mm
Flange size horizontal in mm	84mm
Drill hole dist. vertical mm	64mm
Drill hole dist. horizontal mm	64mm
Material of enclosure	Polyamide
Contacts	The contacts are brass, The contact carrier is made of polyamide

Additional technical properties	
	With hinged lid

Logistics data	
Weight/pcs	0.262 kg / Piece

Logistics data	
Packaging	Bag
Content amount	1 ST
EAN	4024941026369
Length	105 mm
Width	84 mm
Height	138 mm
Weight	0.263 kg
Volume	1,217.16 ccm
Packaging	Carton
Content amount	10 ST
EAN	4024941963145
Length	325 mm
Width	217 mm
Height	210 mm
Weight	2.826 kg
Volume	13,588.4 ccm



5 MB 2

Ampere Polzahl	16 3	16 4	16 5	32 3	32 4	32 5
a	74,0	75,0	84,0	90,0	90,0	90,0
b	84,0	100,0	84,0	75,0	75,0	75,0
c	58,0	62,0	64,0	78,0	78,0	78,0
d	64,0	74,0	64,0	45,0	45,0	45,0
e ø	5,5	4,3	5,5	5,5	5,5	5,5
f	12,0	12,0	29,0	29,0	29,0	29,0
g	78,0	88,0	105,0	114,0	114,0	115,0
h	134,0	151,0	138,0	149,0	149,0	150,0
i	-	-	-	13,0	13,0	13,0
Leiter mm ² min	1	1	1	2,5	2,5	2,5
Leiter mm ² max	2,5	2,5	2,5	6	6	6