

connector - with TE screw terminals, for harsh applications



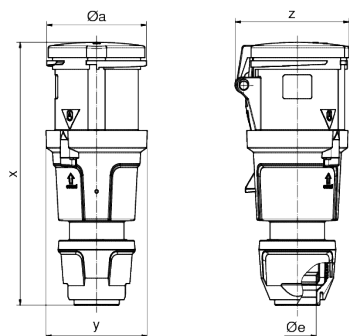
Product description	
BALS-Prd.-Nr	3104
EAN	4024941031042
Product category	TE connector
Current	63A
Number of poles	3p
Arrangement of phases	2P+PE
Position of earth contact	6 h
Voltage	200 - 250V~

Product description	
Frequency	50/60Hz
Protection degree	IP44
Colour code	blue RAL 5015
Colour of appliance	Collar blue RAL 5015, Pusher black RAL 9005, Hinged lid dark grey RAL 7012, Housing cover dark grey RAL 7012, Cable gland dark grey RAL 7012
Connection design	screw terminal as box terminal with Kontex-contact
Maximum conductor size	16,0 qmm
Cable entry	with cable gland
Height	252mm
Width	97mm
Depth	109mm
Material of enclosure	Polyamide
Contacts	The contact carrier is made of high temperature resistant material, the contacts are brass nickel plated

Additional technical properties	
	For cable diameter from 16 up to max. 36 mm, Multi-Grip cable gland with gasket and integrated strain relief, Screwless housing connection

Logistics data	
Weight/pcs	0.59 kg / Piece
Packaging	Bag
Content amount	1 ST

Logistics data	
EAN	4024941031042
Length	109 mm
Width	97 mm
Height	252 mm
Weight	0.591 kg
Volume	2,664.396 ccm
Packaging	Carton
Content amount	5 ST
EAN	4024941952668
Length	325 mm
Width	217 mm
Height	210 mm
Weight	3.156 kg
Volume	13,588.4 ccm



Ampere Polzahl	63 3	63 4	63 5
ø a	95,0	95,0	95,0
ø e	36,0	36,0	36,0
x	251,0	251,0	251,0
y	97,0	97,0	97,0
z	109,0	109,0	109,0
Cond. mm ² min	6,0	6,0	6,0
Cond. mm ² max	16,0	16,0	16,0



