

connector - with TE screw terminals, for harsh applications



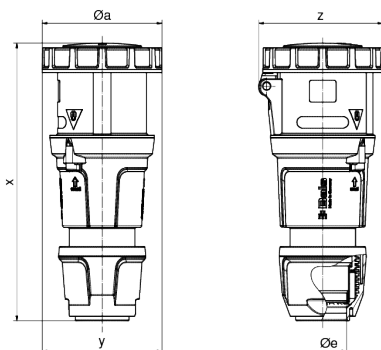
| Product description | |
|---------------------------|---------------|
| BALS-Prd.-Nr | 3196 |
| EAN | 4024941031967 |
| Product category | TE connector |
| Current | 125A |
| Number of poles | 4p |
| Arrangement of phases | 3P+PE |
| Position of earth contact | 7 h |
| Voltage | 480 - 500V~ |

| Product description | |
|------------------------|----------------------------------------------------------------------------------------------------------------------------------------------------------------------------|
| Frequency | 50/60Hz |
| Protection degree | IP67 |
| Colour code | black RAL 9005 |
| Colour of appliance | Hinged lid black RAL 9005, Collar black RAL 9005, Pusher black RAL 9005, Housing cover dark grey RAL 7012, Cable gland dark grey RAL 7012, Bajonet ring dark grey RAL 7012 |
| Connection design | screw terminal as box terminal with Kontex-contact |
| Maximum conductor size | 50.0 qmm |
| Cable entry | with cable gland |
| Height | 295mm |
| Width | 125mm |
| Depth | 128mm |
| Material of enclosure | Polyamide |
| Contacts | The contact carrier is made of high temperature resistant material, the contacts are brass nickel plated |

| Additional technical properties | |
|---------------------------------|--------------------------------------------------------------------------------------------------------------|
| | For cable diameter from 26 up to max. 50 mm, MULTI-GRIP cable gland with gasket and integrated strain relief |

| Logistics data | |
|----------------|------------------|
| Weight/pcs | 1.205 kg / Piece |
| Packaging | Bag |

| Logistics data | |
|----------------|---------------|
| Content amount | 1 ST |
| EAN | 4024941031967 |
| Length | 128 mm |
| Width | 125 mm |
| Height | 295 mm |
| Weight | 1.206 kg |
| Volume | 4,720 ccm |
| Packaging | Carton |
| Content amount | 5 ST |
| EAN | 4024941954945 |
| Length | 345 mm |
| Width | 345 mm |
| Height | 217 mm |
| Weight | 6.36 kg |
| Volume | 24,276 ccm |



| | 125 | 125 | 125 |
|---------------------------|-------|-------|-------|
| Ampere | 3 | 4 | 5 |
| Polzahl | | | |
| ø a | 125,0 | 125,0 | 125,0 |
| ø e | 50,0 | 50,0 | 50,0 |
| x | 290,0 | 290,0 | 290,0 |
| y | 125,0 | 125,0 | 125,0 |
| z | 130,0 | 130,0 | 130,0 |
| Cond. mm ² min | 16,0 | 16,0 | 16,0 |
| Cond. mm ² max | 50,0 | 50,0 | 50,0 |
| | | | |
| | | | |
| | | | |



