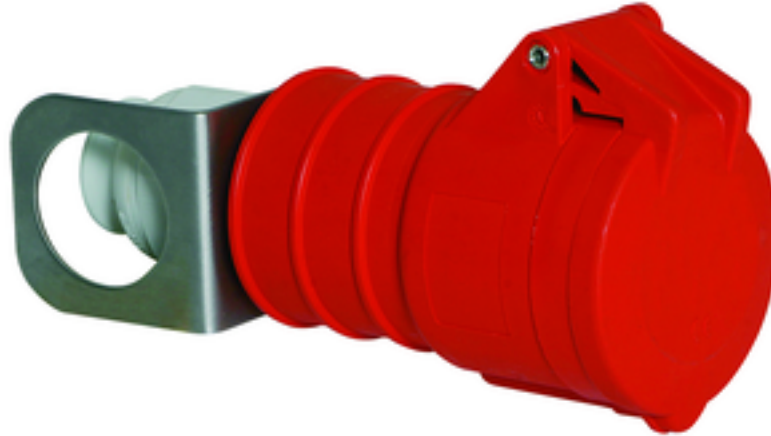


hanging connector - with Multi-Grip, with suspension clip



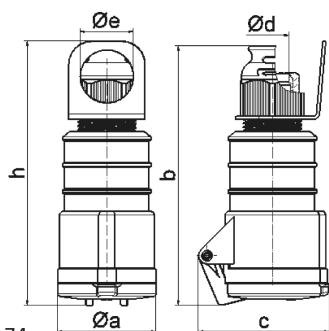
Product description	
BALS-Prd.-Nr	3214
EAN	4024941032148
Product category	Quick-Connect TE hanging connector
Current	16A
Number of poles	5p
Arrangement of phases	3p+N+PE
Position of earth contact	6 h
Voltage	200/346 - 240/415V~
Frequency	50/60Hz

Product description	
Protection degree	IP44
Colour code	red RAL 3000
Colour of appliance	Hinged lid red RAL 3000, Cable gland grey RAL 7035, Enclosure red RAL 3000
Connection design	screwless spring terminals with Kontex-Kontakt
Maximum conductor size	2,5 qmm
Cable entry	with cable gland
Height	185mm
Width	65mm
Depth	86mm
Material of enclosure	Polyamide
Contacts	The contact carrier is made of high temperature resistant material, the contacts are brass nickel plated

Additional technical properties	
	For cable diameter from 10 up to max. 21 mm, Multi-Grip cable gland with gasket, integrated cable clamp and additional water evacuation openings

Logistics data	
Weight/pcs	0.258 kg / Piece
Packaging	Bag
Content amount	1 ST
EAN	4024941032148

Logistics data	
Length	86 mm
Width	65 mm
Height	185 mm
Weight	0.259 kg
Volume	1,034.15 ccm
Packaging	Carton
Content amount	10 ST
EAN	4024941819312
Length	258 mm
Width	183 mm
Height	212 mm
Weight	2.732 kg
Volume	8,750 ccm



Ampere	16	16	16	32	32	32
Polzahl	3	4	5	3	4	5
a ø	51,0	58,0	65,0	66,5	66,5	72,0
b	156,0	162,0	168,0	195,0	195,0	198,0
c	72,0	78,0	86,0	89,0	89,0	99,0
d ø	18,0	18,0	21,0	23,0	23,0	27,0
e ø	39,5	39,5	35,5	48,5	48,5	44,5
h	167,5	173,5	171,5	208,0	208,0	205,0
Leiter mm ² min	1	1	1	2,5	2,5	2,5
Leiter mm ² max	2,5	2,5	2,5	6	6	6