

## Wall mounting appliance inlet low voltage - housing dimensions 80x70



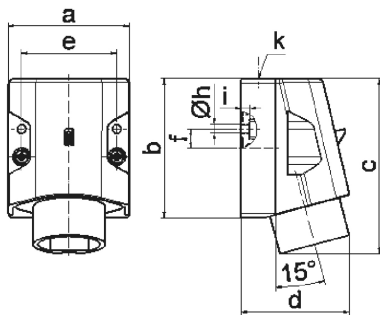
| Product description       |                                   |
|---------------------------|-----------------------------------|
| BALS-Prd.-Nr              | 4612                              |
| EAN                       | 4024941046121                     |
| Product category          | ELV wall mounting appliance inlet |
| Current                   | 32A                               |
| Number of poles           | 2p                                |
| Arrangement of phases     | 2P                                |
| Position of earth contact | 12 h                              |
| Voltage                   | 40 up to 50V                      |

| Product description    |   |
|------------------------|---|
| Frequency              | 50/60Hz   |
| Protection degree      | IP44  |
| Colour code            | grey RAL 7035   |
| Colour of appliance    | Housing bottom grey RAL 7035, Housing top grey RAL 7035, Collar grey RAL 7035 |
| Connection design      | with screw terminal   |
| Maximum conductor size | 10,0 qmm  |
| Cable entry            | top entry M25   |
| Height                 | 102mm   |
| Width                  | 70mm  |
| Depth                  | 63mm  |
| Dimension of enclosure | 80x70 mm (HxW)  |
| Material of enclosure  | Polyamide   |
| Contacts               | the contact carrier is made of polyamide, the contacts are brass              |

| Additional technical properties |                                    |
|---------------------------------|------------------------------------|
|                                 | The cable entry is one at top open |

| Logistics data |                 |
|----------------|-----------------|
| Weight/pcs     | 0.14 kg / Piece |
| Packaging      | Bag             |
| Content amount | 1 ST            |

| Logistics data |               |
|----------------|---------------|
| EAN            | 4024941046121 |
| Length         | 63 mm         |
| Width          | 70 mm         |
| Height         | 102 mm        |
| Weight         | 0.141 kg      |
| Packaging      | Carton        |
| Content amount | 10 ST         |
| EAN            | 4024941837262 |
| Length         | 245 mm        |
| Width          | 177 mm        |
| Height         | 185 mm        |
| Weight         | 1.533 kg      |
| Volume         | 7,140 ccm     |



16 MB 15

| Ampere                     | 16    | 16    | 32    | 32    |  |  |
|----------------------------|-------|-------|-------|-------|--|--|
| Polzahl                    | 2     | 3     | 2     | 3     |  |  |
| a                          | 70,0  | 70,0  | 70,0  | 70,0  |  |  |
| b                          | 80,0  | 80,0  | 80,0  | 80,0  |  |  |
| c                          | 100,0 | 100,0 | 100,0 | 100,0 |  |  |
| d                          | 82,0  | 82,0  | 82,0  | 82,0  |  |  |
| e                          | 55,0  | 55,0  | 55,0  | 55,0  |  |  |
| f                          | 11,0  | 11,0  | 11,0  | 11,0  |  |  |
| h ø                        | 5,2   | 5,2   | 5,2   | 5,2   |  |  |
| i                          | 5,0   | 5,0   | 5,0   | 5,0   |  |  |
| k                          | M25   | M25   | M25   | M25   |  |  |
| Leiter mm <sup>2</sup> min | 4     | 4     | 4     | 4     |  |  |
| Leiter mm <sup>2</sup> max | 10    | 10    | 10    | 10    |  |  |
|                            |       |       |       |       |  |  |
|                            |       |       |       |       |  |  |