

# Wall mounting socket outlet - housing dimensions 260x160



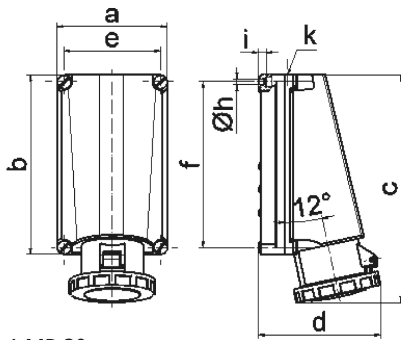
| Product description       |                             |
|---------------------------|-----------------------------|
| BALS-Prd.-Nr              | 11447                       |
| EAN                       | 4024941114479               |
| Product category          | Wall mounting socket outlet |
| Current                   | 125A                        |
| Number of poles           | 5p                          |
| Arrangement of phases     | 3p+N+PE                     |
| Position of earth contact | 6 h                         |
| Voltage                   | 200/346 - 240/415V~         |

| Product description    |                                                                                                                                            |
|------------------------|--------------------------------------------------------------------------------------------------------------------------------------------|
| Frequency              | 50/60Hz                                                                                                                                    |
| Protection degree      | IP67                                                                                                                                       |
| Colour code            | red RAL 3000                                                                                                                               |
| Colour of appliance    | Hinged lid red RAL 3000, Bayonet ring grey RAL 7035, Housing screws grey RAL 7035, Housing bottom grey RAL 7035, Housing top grey RAL 7035 |
| Connection design      | screw terminal as box terminal with Kontex-contact                                                                                         |
| Maximum conductor size | 70.0 qmm (possible limitation by the used cable entry)                                                                                     |
| Cable entry            | 1xM50 from above                                                                                                                           |
| Height                 | 332mm                                                                                                                                      |
| Width                  | 160mm                                                                                                                                      |
| Depth                  | 168mm                                                                                                                                      |
| Dimension of enclosure | 260x160 mm (HxW)                                                                                                                           |
| Material of enclosure  | Polycarbonate                                                                                                                              |
| Contacts               | the contact carrier is made of high temperature resistant material, the contacts are brass nickel plated                                   |

| Additional technical properties |                                    |
|---------------------------------|------------------------------------|
|                                 | The cable entry is one at top open |

| Logistics data |                  |
|----------------|------------------|
| Weight/pcs     | 2.085 kg / Piece |
| Packaging      | Carton           |

| Logistics data |               |
|----------------|---------------|
| Content amount | 1 ST          |
| EAN            | 4024941114479 |
| Length         | 440 mm        |
| Width          | 225 mm        |
| Height         | 165 mm        |
| Weight         | 2.313 kg      |
| Volume         | 13,545 ccm    |



1 MB 20

| Ampere Polzahl             | 125<br>3 | 125<br>4 | 125<br>5 |  |  |  |
|----------------------------|----------|----------|----------|--|--|--|
| a                          | 160,0    | 160,0    | 160,0    |  |  |  |
| b                          | 260,0    | 260,0    | 260,0    |  |  |  |
| c                          | 330,0    | 330,0    | 330,0    |  |  |  |
| d                          | 168,0    | 168,0    | 168,0    |  |  |  |
| e                          | 140,0    | 140,0    | 140,0    |  |  |  |
| f                          | 240,0    | 240,0    | 240,0    |  |  |  |
| h ø                        | 8,3      | 8,3      | 8,3      |  |  |  |
| i                          | 10,0     | 10,0     | 10,0     |  |  |  |
| k                          | M50      | M50      | M50      |  |  |  |
| Leiter mm <sup>2</sup> min | 25       | 25       | 25       |  |  |  |
| Leiter mm <sup>2</sup> max | 70       | 70       | 70       |  |  |  |
|                            |          |          |          |  |  |  |
|                            |          |          |          |  |  |  |