

wall mounting socket outlet, chemically resistant - housing dimensions 170x90



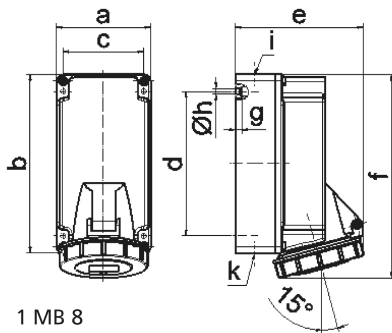
Product description	
BALS-Prd.-Nr	11455
EAN	4024941114554
Product category	TE wall mounting socket outlet Quick-Connect
Current	16A
Number of poles	5p
Arrangement of phases	3p+N+PE
Position of earth contact	6 h
Voltage	200/346 - 240/415V~

Product description	
Frequency	50/60Hz
Protection degree	IP67
Colour code	red RAL 3000
Colour of appliance	Hinged lid red RAL 3000, Bayonet ring lightbeige, Housing top lightbeige, Housing bottom lightbeige
Connection design	screwless spring terminals with Kontex-Kontakt
Maximum conductor size	4,0 qmm
Cable entry	top entry M20 bottom entry M25/20
Height	195mm
Width	90mm
Depth	123mm
Dimension of enclosure	170x90 mm (HxW)
Material of enclosure	Polycarbonate+Polyester light - beige
Contacts	The contact carrier is made of high temperature resistant material, the contacts are brass nickel plated

Additional technical properties	
	The cable entry is one at top open and two at bottom closed
	Lower part of housing rotatable by 180°

Logistics data	
Weight/pcs	0.47 kg / Piece

Logistics data	
Packaging	Carton
Content amount	1 ST
EAN	4024941114554
Length	124 mm
Width	91 mm
Height	196 mm
Weight	0.53 kg
Volume	2,211.664 ccm



Ampere	16	16	16			
Polzahl	3	4	5			
a	90,0	90,0	90,0			
b	170,0	170,0	170,0			
c	77,0	77,0	77,0			
d	137,5	137,5	137,5			
e	108,0	115,0	122,0			
f	191,5	191,5	195,0			
g	6,5	6,5	6,5			
h ø	5,5	5,5	5,5			
i	M20	M20	M20			
k	M20/25	M20/25	M20/25			
Leiter mm ² min	1,5	1,5	1,5			
Leiter mm ² max	4	4	4			