

Wall mounting socket outlet - with external fixing



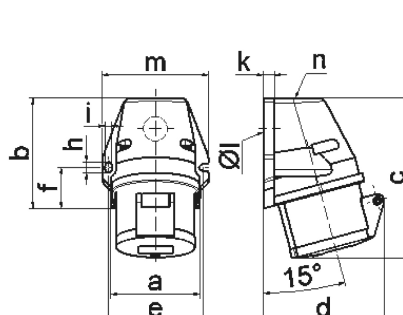
Product description	
BALS-Prd.-Nr	11645
EAN	4024941116459
Product category	Wall mounting socket outlet
Current	16A
Number of poles	4p
Arrangement of phases	3P+PE
Position of earth contact	6 h
Voltage	380 - 415V~
Frequency	50/60Hz

Product description	
Protection degree	IP44
Colour code	red RAL 3000
Colour of appliance	Housing top red RAL 3000, Collar red RAL 3000, Hinged lid red RAL 3000, Housing bottom grey RAL 7035
Connection design	with screw terminal
Maximum conductor size	4,0 qmm
Cable entry	top entry M25
Height	130mm
Width	87mm
Depth	96mm
Dimension of enclosure	90x87 mm (HxW)
Material of enclosure	Polyamide
Contacts	the contact carrier is made of polyamide, the contacts are brass

Additional technical properties	
	The cable entry is one at top open and one at bottom closed

Logistics data	
Weight/pcs	0.219 kg / Piece
Packaging	Bag
Content amount	1 ST

Logistics data	
EAN	4024941116459
Length	96 mm
Width	87 mm
Height	130 mm
Weight	0.22 kg
Volume	1,190.135 ccm
Packaging	Carton
Content amount	10 ST
EAN	4024941840705
Length	387 mm
Width	222 mm
Height	150 mm
Weight	2.383 kg
Volume	11,029.5 ccm



Ampere Polzahl	16 3	16 4	16 5	32 3	32 4	32 5
a	59,5	72,4	72,4	79,1	79,1	79,1
b	90,0	90,0	90,0	92,0	92,0	92,0
c	130,0	130,0	131,0	142,0	142,0	142,0
d	85,0	96,0	98,0	103,0	103,0	106,0
e	62,0	77,0	77,0	84,0	84,0	84,0
f	33,5	33,5	33,5	30,0	30,0	30,0
h	9,0	9,0	9,0	9,0	9,0	9,0
i	5,5	5,5	5,5	5,5	5,5	5,5
k	8,0	9,0	9,0	9,0	9,0	9,0
l Ø	21,0	21,0	21,0	21,0	21,0	21,0
m	72,0	87,0	87,0	94,0	94,0	94,0
n	M20	M25	M25	M25	M25	M25
Leiter mm ² min	1,5	1,5	1,5	2,5	2,5	2,5
Leiter mm ² max	4	4	4	10	10	10

1 MB 19