

Panel mounted socket, straight TN - flange 75x75, fixing centers 60x60

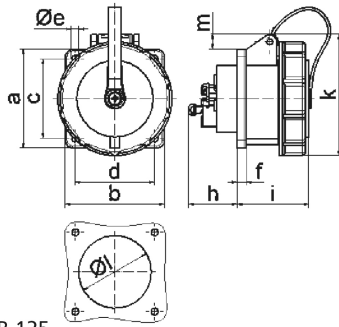


| Product description | |
|---------------------------|--|
| BALS-Prd.-Nr | 13065 |
| EAN | 4024941130653 |
| Product category | TN panel mounting socket outlet Quick-Connect straight |
| Current | 16A |
| Number of poles | 5p |
| Arrangement of phases | 3p+N+PE |
| Position of earth contact | 6 h |
| Voltage | 200/346 - 240/415V~ |

| Product description | |
|--------------------------------|--|
| Frequency | 50/60Hz |
| VG-type-no.: | VG 96919 AS 001 |
| Supply no.: | 5935-12-300-5324 |
| Protection degree | IP67 |
| Colour code | bronze-green RAL 6031-F9 |
| Colour of appliance | Hinged lid bronze-green RAL 6031-F9, Enclosure bronze-green RAL 6031-F9, Bayonet ring bronze-green RAL 6031-F9 |
| Connection design | screwless spring terminals with Kontex-Kontakt |
| Maximum conductor size | 4,0 qmm |
| Cable entry | other |
| Height | 92mm |
| Width | 86.5mm |
| Depth | 95mm |
| Flange size vertical in mm | 75mm |
| Flange size horizontal in mm | 75mm |
| Drill hole dist. vertical mm | 60mm |
| Drill hole dist. horizontal mm | 60mm |
| Material of enclosure | Polyamide |
| Contacts | The contact carrier is made of high temperature resistant material, the contacts are brass nickel plated |

| Additional technical properties | |
|---------------------------------|-----------------------------|
| | With bayonet cover on strap |

| Logistics data | |
|----------------|------------------|
| Weight/pcs | 0.191 kg / Piece |
| Packaging | Bag |
| Content amount | 1 ST |
| EAN | 4024941130653 |
| Length | 95 mm |
| Width | 86.5 mm |
| Height | 92 mm |
| Weight | 0.192 kg |
| Volume | 756.01 ccm |
| Packaging | Carton |
| Content amount | 10 ST |
| EAN | 4024941941815 |
| Length | 245 mm |
| Width | 177 mm |
| Height | 185 mm |
| Weight | 2.043 kg |
| Volume | 7,140 ccm |



4 MB 125

| Ampere Polzahl | 16 3 | 16 4 | 16 5 | 32 3 | 32 4 | 32 5 |
|----------------------------|---------|---------|---------|---------|---------|---------|
| a | 75,0 | 75,0 | 75,0 | 75,0 | 75,0 | 75,0 |
| b | 75,0 | 75,0 | 75,0 | 75,0 | 75,0 | 75,0 |
| c | 60,0 | 60,0 | 60,0 | 60,0 | 60,0 | 60,0 |
| d | 60,0 | 60,0 | 60,0 | 60,0 | 60,0 | 60,0 |
| e ø | 5,5 | 5,5 | 5,5 | 5,5 | 5,5 | 5,5 |
| f | 7,0 | 7,0 | 7,0 | 8,0 | 8,0 | 8,0 |
| h | 35,0 | 35,0 | 35,0 | 50,0 | 50,0 | 50,0 |
| i | 57,0 | 57,0 | 57,0 | 69,0 | 69,0 | 69,0 |
| k | 77,0 | 83,0 | 93,0 | 98,0 | 98,0 | 107,0 |
| l ø | 45,0 | 75,0 | 55,0 | 60,0 | 60,0 | 60,0 |
| m | 4,0 | 7,0 | 12,0 | 12,0 | 12,0 | 17,0 |
| Leiter mm ² min | 1,5 | 1,5 | 1,5 | 2,5 | 2,5 | 2,5 |
| Leiter mm ² max | 4,0 | 4,0 | 4,0 | 10,0 | 10,0 | 10,0 |