

panel mounting socket outlet, straight - flange 72x65,
fixing centers 52x52

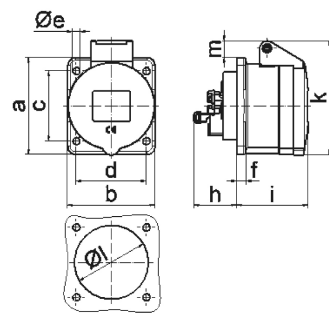


Product description	
BALS-Prd.-Nr	13681
EAN	4024941136815
Product category	Panel mounting socket outlet Quick-Connect, straight
Current	16A
Number of poles	5p
Arrangement of phases	3p+N+PE
Position of earth contact	6 h
Voltage	200/346 - 240/415V~

Product description	
Frequency	50/60Hz
Protection degree	IP44
Colour code	red RAL 3000
Colour of appliance	Hinged lid red RAL 3000, Enclosure grey RAL 7035
Connection design	screwless spring terminals with Kontex-Kontakt
Maximum conductor size	4,0 qmm
Cable entry	other
Height	85mm
Width	65mm
Depth	90mm
Flange size vertical in mm	72mm
Flange size horizontal in mm	65mm
Drill hole dist. vertical mm	52mm
Drill hole dist. horizontal mm	52mm
Material of enclosure	Polyamide
Contacts	The contact carrier is made of polyamide, The contacts are brass

Logistics data	
Weight/pcs	0.13 kg / Piece
Packaging	Bag
Content amount	1 ST

Logistics data	
EAN	4024941136815
Length	90 mm
Width	65 mm
Height	85 mm
Weight	0.131 kg
Volume	497.25 ccm
Packaging	Carton
Content amount	10 ST
EAN	4024941962810
Length	275 mm
Width	175 mm
Height	137 mm
Weight	1.425 kg
Volume	5,737.5 ccm



4 MB 100

Ampere	16	16	16				
Polzahl	3	4	5				
a	62,0	72,0	72,0				
b	62,0	65,0	65,0				
c	47,0	52,0	52,0				
d	47,0	52,0	52,0				
e ø	5,5	5,5	5,5				
f	7,0	7,0	7,0				
h	35,5	35,5	35,5				
i	51,0	53,0	53,0				
k	70,0	80,0	85,0				
ø	45,0	45,0	55,0				
m	10,0	9,0	13,0				
Leiter mm ² min	1,5	1,5	1,5				
Leiter mm ² max	4	4	4				