

wall mounting socket outlet, switched, interlocked and fused - for referee containers, housing dimensions 365x134

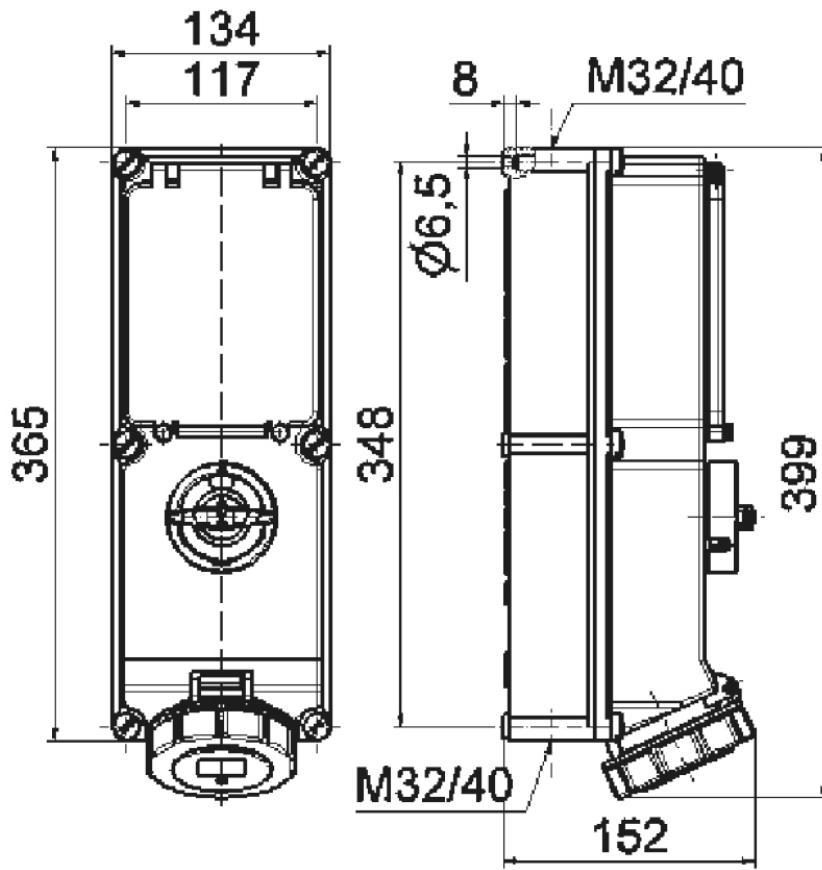


Product description	
BALS-Prd.-Nr	17026
EAN	4024941170260
Product category	Wall mounting socket outlet, switched, interlocked, fused
Current	32A
Number of poles	4p
Arrangement of phases	3P+PE
Position of earth contact	3 h

Product description	
Voltage	380V~(50Hz) 440V~(60Hz)
Frequency	50/60Hz
Protection degree	IP67
Colour code	red RAL 3000
Colour of appliance	Hinged lid red RAL 3000, Housing bottom grey RAL 7035, Housing top grey RAL 7035, Housing screws grey RAL 7035, Control knob grey RAL 7035, Operating window smoky topaz, Bayonet ring grey RAL 7035
Connection design	screwless spring terminals with Kontex-Kontakt
Maximum conductor size	10,0 qmm
Cable entry	top entry M40/M32 bottom entry M40/32
Height	400mm
Width	134mm
Depth	154mm
Dimension of enclosure	365x134 mm (HxW)
Material of enclosure	Polycarbonate
Contacts	the contacts are brass nickel plated, The contact carrier is made of polyamide

Additional technical properties	
	cable entry two at top and two at bottom (open)
	In 0-position lockable for 3 padlocks with bow diameter up to 7 mm
	With mounting rail for 6 modules, vertical, With mounting rail

Logistics data	
Weight/pcs	2.156 kg / Piece
Packaging	Carton
Content amount	1 ST
EAN	4024941170260
Length	387 mm
Width	222 mm
Height	150 mm
Weight	2.349 kg
Volume	11,029.5 ccm



12 MB 26