

TN plug - with cable gland, with closure cap

Abbildung ähnlich - similar picture



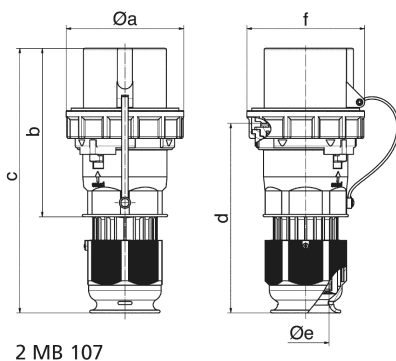
Product description	
BALS-Prd.-Nr	21430
EAN	4024941214308
Product category	TN plug
Current	63A
Number of poles	5p
Arrangement of phases	3p+N+PE
Position of earth contact	2 h
Voltage	> 50V~
Frequency	> 300 - 500Hz

Product description	
VG-type-no.:	VG 96919 CP 012
Protection degree	IP67
Colour code	green RAL 6002
Colour of appliance	Cable gland bronze-green RAL 6031-F9, Bayonet ring bronze-green RAL 6031-F9, Collar bronze-green RAL 6031-F9, Housing cover bronze-green RAL 6031-F9, Pusher black RAL 9005
Connection design	screw terminal as box terminal
Maximum conductor size	16,0 qmm
Cable entry	with cable gland
Height	244mm
Width	113.5mm
Depth	115mm
Material of enclosure	Polyamide
Contacts	The contact carrier is made of high temperature resistant material, the contacts are brass nickel plated

Additional technical properties	
	Screwless housing connection, For cable diameter from 16 up to max. 36 mm, Multi-Grip cable gland with gasket, integrated cable clamp and additional water evacuation openings
	With closure cap

Logistics data	
Weight/pcs	0.805 kg / Piece

Logistics data	
Packaging	Bag
Content amount	1 ST
EAN	4024941214308
Length	115 mm
Width	113.5 mm
Height	244 mm
Weight	0.806 kg
Volume	3,184.81 ccm
Packaging	Carton
Content amount	5 ST
EAN	4024941839211
Length	325 mm
Width	217 mm
Height	210 mm
Weight	4.231 kg
Volume	13,588.4 ccm



Ampere	63	63	63	125	125	125
Polzahl	3	4	5	3	4	5
a ø	113,5	113,5	113,5	126,0	126,0	126,0
b	169,0	169,0	169,0	185,0	185,0	185,0
c	250,0	250,0	250,0	286,0	286,0	286,0
d	177,0	177,0	177,0	206,0	206,0	206,0
e ø	36,0	36,0	36,0	50,0	50,0	50,0
f	112,5	112,5	112,5	125,0	125,0	125,0
Leiter mm² min	6,0	6,0	6,0	16,0	16,0	16,0
Leiter mm² max	25,0	25,0	25,0	50,0	50,0	50,0